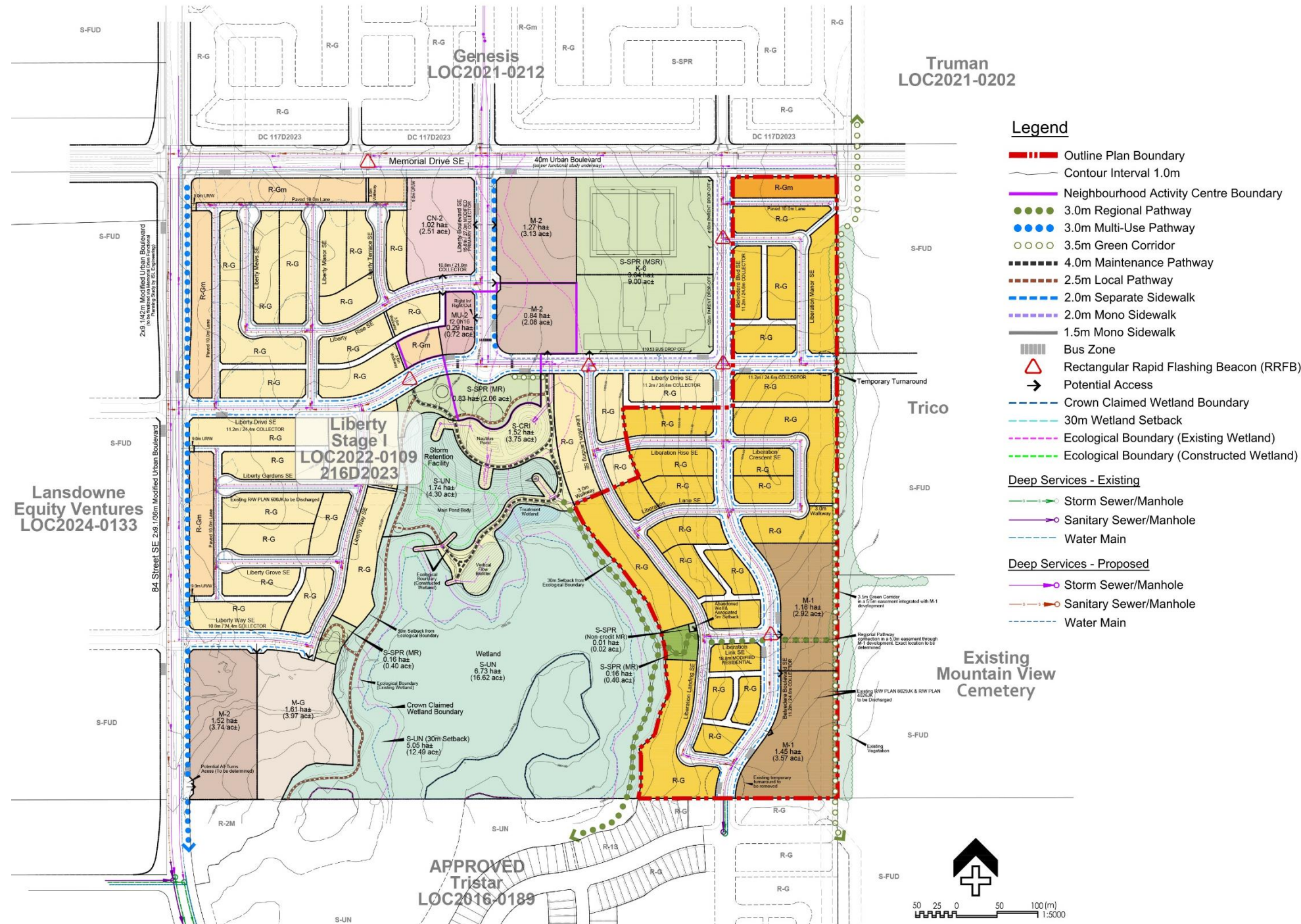


Proposed Outline Plan

Calgary Planning Commission is the Approving Authority for the Outline Plan. Attachment for Council's reference only.



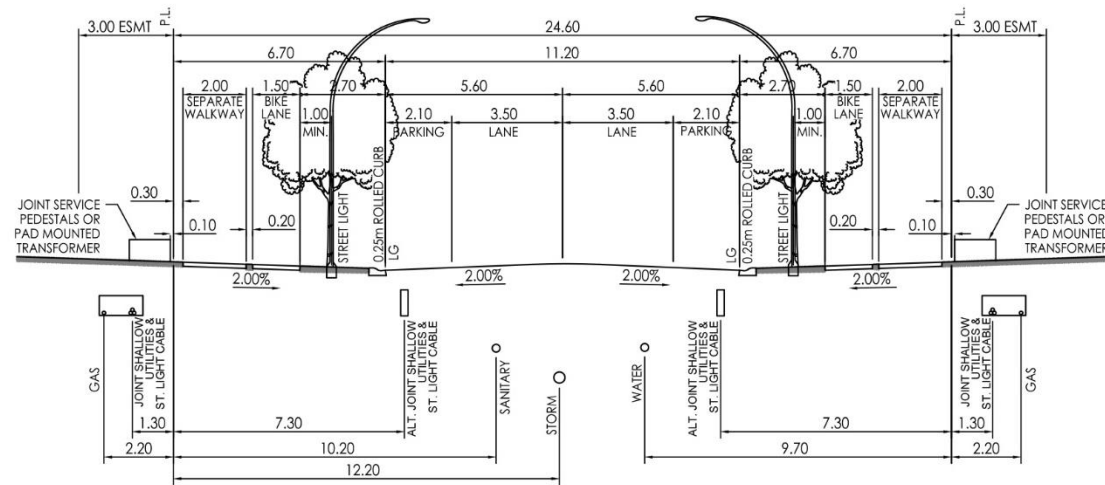
ZAHMOL
PROPERTIES LTD.

LIBERTY
BELVEDERE STAGE 2

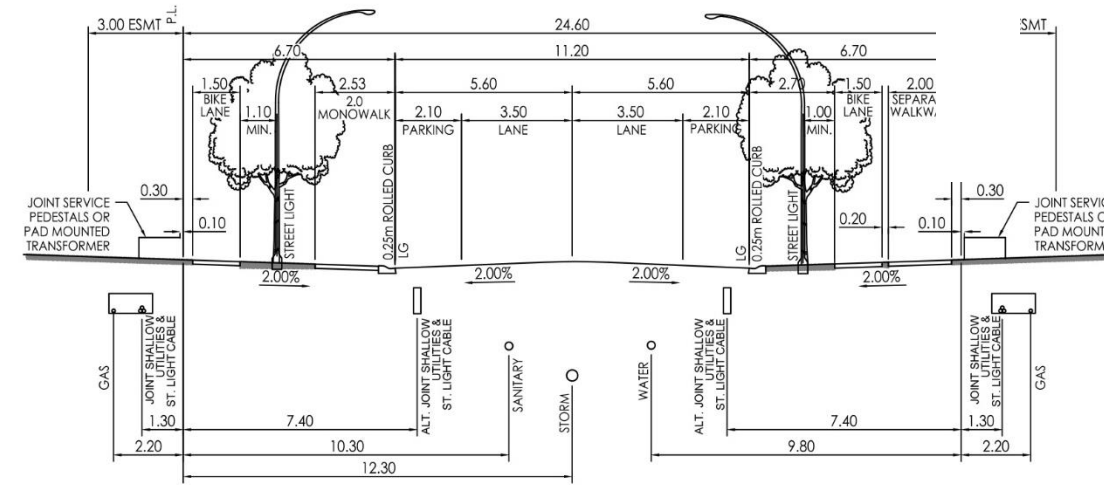
Outline Plan &
Land Use Redesignation



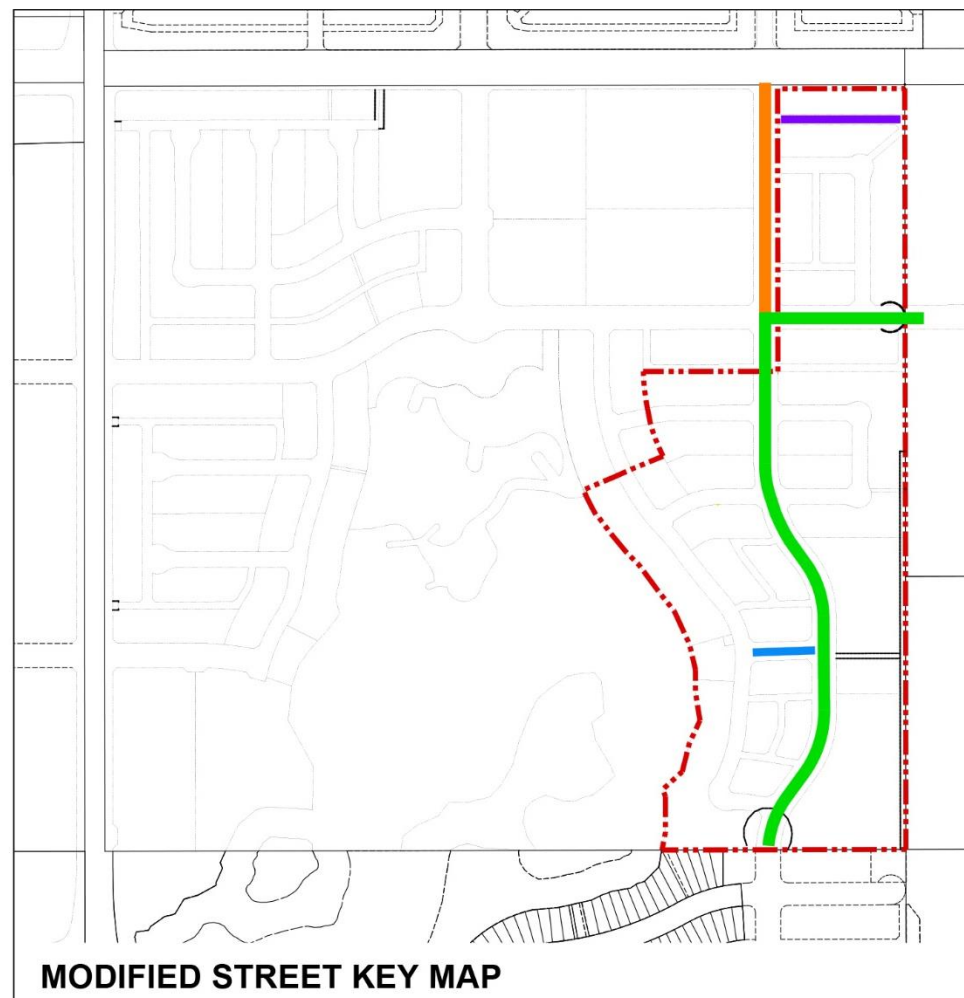
OUTLINE PLAN STATISTICS					
	Hectares	Acres	Frontage (m)	# of units	% of GDA
	(+/-)	(+/-)	(+/-)		
Zahmol Ownership	15.61	38.58			
GROSS DEVELOPABLE AREA (GDA)	15.61	38.58			100.0%
RESIDENTIAL AREA					
MULTI-FAMILY RESIDENTIAL					
M-1 Low Profile Multi-Residential District	2.63	6.49			
Anticipated number of units @ 30upa				194 units	
Maximum anticipated number of units @ 60upa				389	
LOW DENSITY RESIDENTIAL					
R-Gm Low Density Mixed-Housing	0.33	0.82	127		
Anticipated number of units at 6m lot width				6	21 units
Maximum number of units at 5m lot width				5	25
R-G Low Density Mixed-Housing Landed	1.79	4.43	538		
Anticipated number of units at 8.4m lot width				8.4	64 units
Maximum number of units at 5m lot width				5	108
R-G Low Density Mixed-Housing Laneless	6.48	16.01	1819		
Anticipated number at 10.4m lot width				10.4	175 units
Maximum number of units at 6m lot width				6	303
Total Anticipated Number of Units					454 units
Total Maximum Number of Units					826 units
DENSITY					
Anticipated	29.1 upha				11.8 upa
Maximum	52.9 upha				21.4 upa
INTENSITY					
Anticipated	85.4 people + jobs / gross dev. hectare				
Maximum	152.6 people + jobs / gross dev. hectare				
OPEN SPACE - S-SPR					
Neighbourhood Park (Credit MR)	0.17	0.42			1.1%
Abandoned Well Setback (Non-Credit MR)	0.16	0.40			
	0.01	0.02			
PUBLIC DEDICATION					
Roads	4.21	10.41			27.0%
	4.21	10.41			



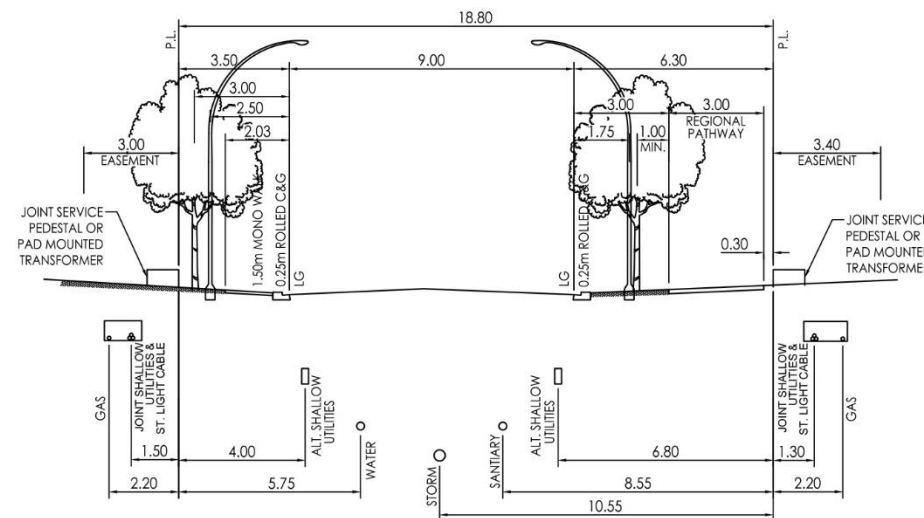
24.6m MODIFIED COLLECTOR #1
PARKING BOTH SIDES/SEPARATE 2.0m WALK & 1.5m BIKE LANE BOTH SIDES
LIBERTY DRIVE SE - PHASE 2 (East of Belvedere Boulevard)
BELVEDERE BOULEVARD
Scale 1:250



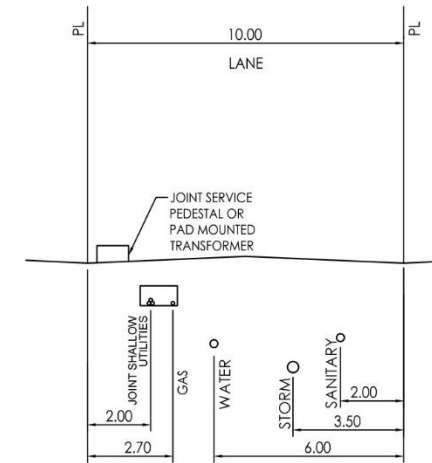
24.6m MODIFIED COLLECTOR #2
PARKING BOTH SIDES/2.0m MONOWALK & SEPARATE 1.5m BIKE LANE ONE SIDE / SEPARATE 2.0m WALK & 1.5m BIKE LANE ONE SIDE
BELVEDERE BOULEVARD SE (North of Liberty Drive SE)
Scale 1:250



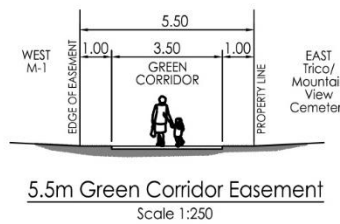
MODIFIED STREET KEY MAP



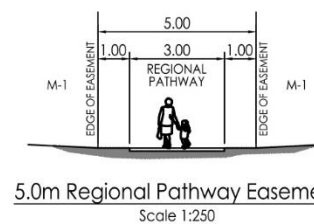
18.8m MODIFIED RESIDENTIAL
Scale 1:250



10.0m LANE
Scale 1:250



5.5m Green Corridor Easement
Scale 1:250



5.0m Regional Pathway Easement
Scale 1:250