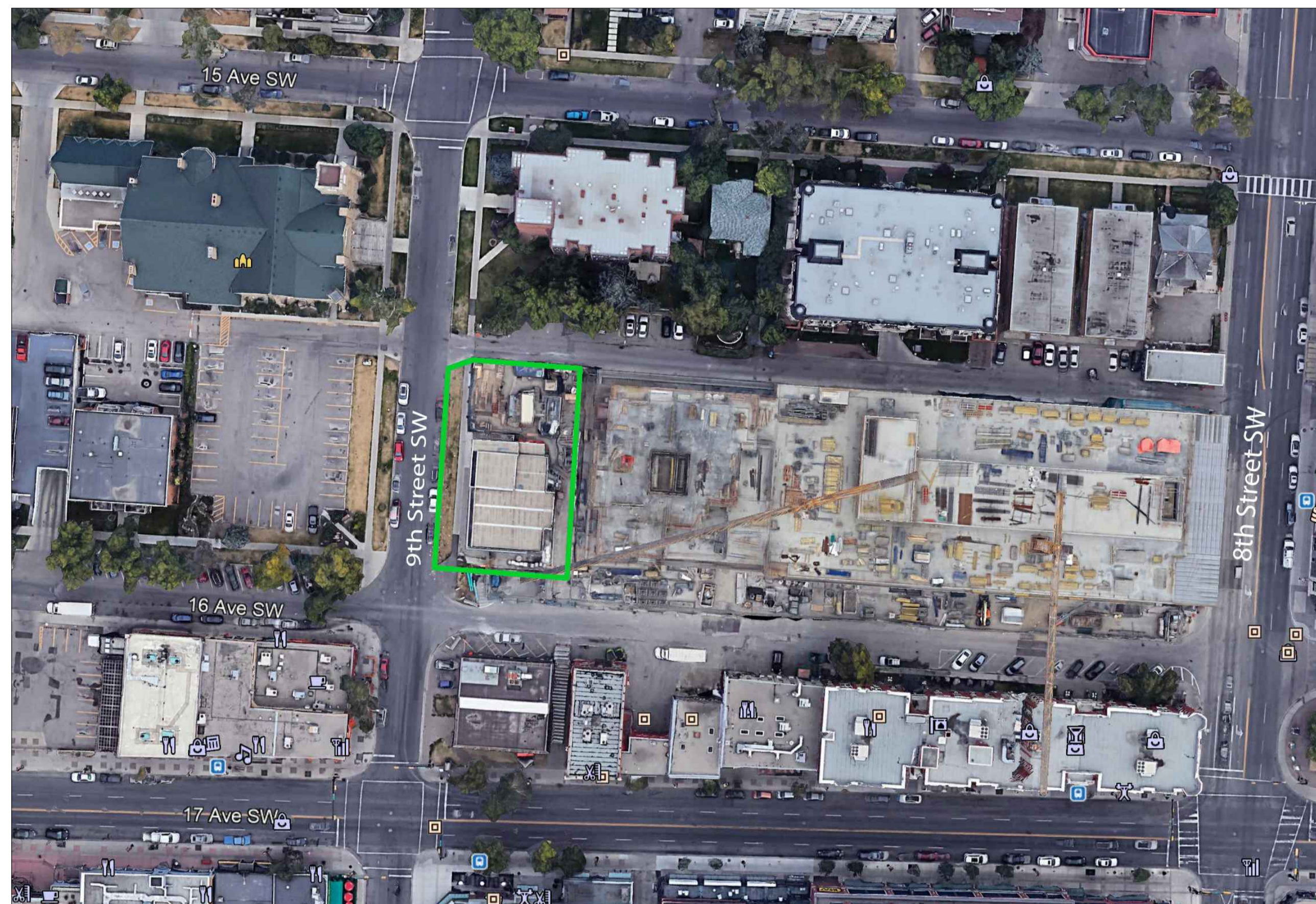


DEVELOPMENT LIAISON - DL2020 0001 NEW PARK SPACE IN BELTLINE

Municipal Address:
936 16 Ave SW Calgary, AB.

Legal Description:
Plan 1510893
Block 111
Lot 42

DC 68D2013, SITE 3



drawing and site notes

- general
1. base information (building and site) provided by City of Calgary DAS (April 26, 2019), As-Built Record (June 6, 2019).
 2. all drawings are property of Landscape Architect.
 3. dimensions are by default read in millimeters.
 4. site will be irrigated to City of Calgary Parks requirements utilizing low flow irrigation system.



REVISION / ADDITION	FIELD BOOK	DRAWN BY	DATE
issued for DL reissued for DL		bh bh	20.01.02 20.03.16

CHECKED BY **cmc** DATE **20.03.12**

APPROVED FOR:	BY	DATE
TENDER	yy/mm/dd	yy/mm/dd
CONSTRUCTION	---	yy/mm/dd

APPROVAL

DEVELOPER

CONSULTANTS



SEAL

DRAWN BY bh	DESIGN BY cmc
DATE 20.03.12	DATE 20.03.12

SCALE NTS

PROJECT TITLE

Beltline Park

SHEET TITLE

Cover Sheet

SHEET NO. L01	FILE NO. 19.404
-------------------------	---------------------------

existing site conditions



west side of site looking north

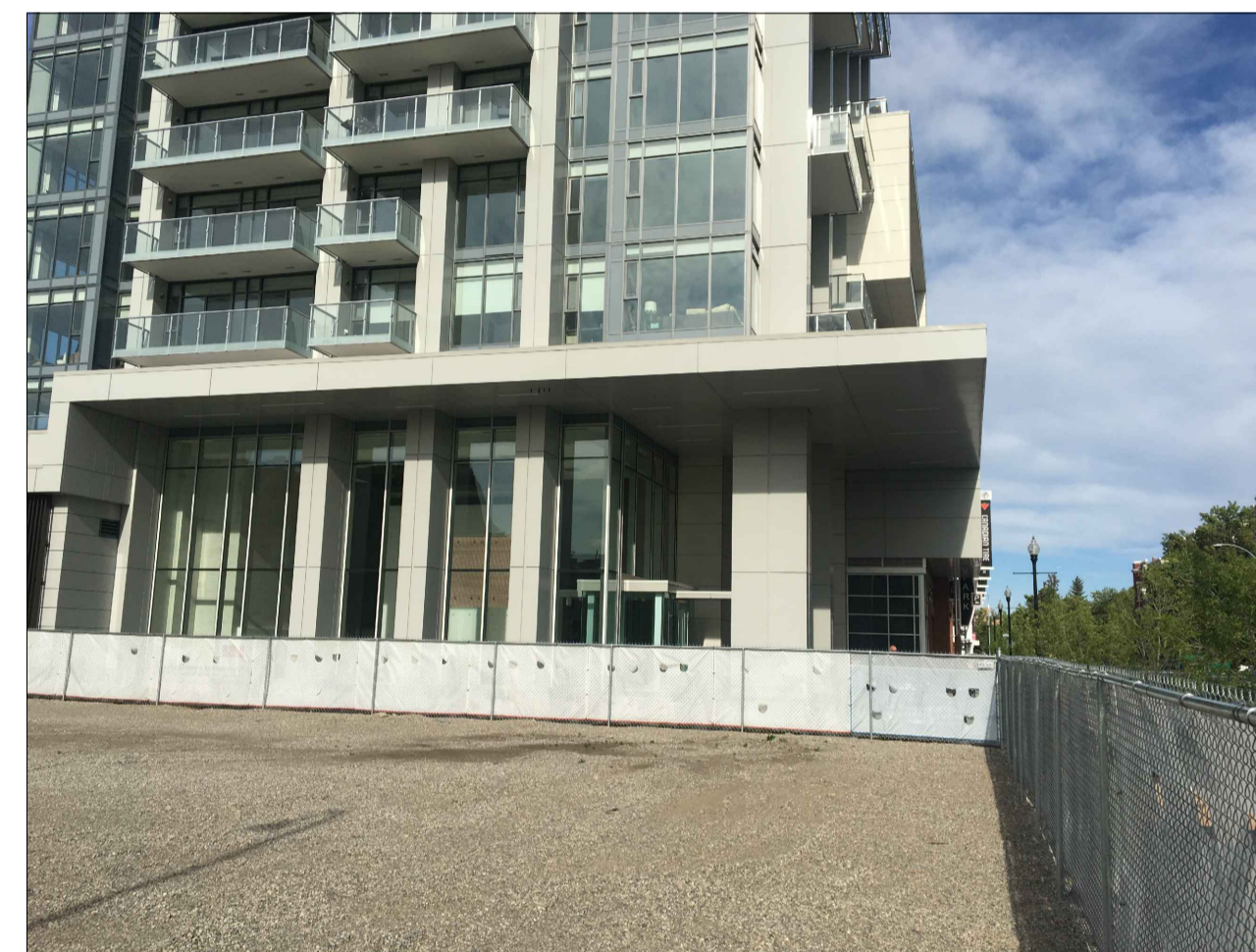


northeast corner of site looking south - showing adjacent condition

existing site conditions continued



northeast corner of site looking south



south side of site looking east



REVISION / ADDITION	FIELD BOOK	DRAWN BY	DATE
issued for DL reissued for DL		bh bh	20.01.02 20.03.16

CHECKED BY **cmc** DATE **20.03.12**

APPROVED FOR:	BY	DATE
TENDER	yy/mm/dd	yy/mm/dd
CONSTRUCTION	---	yy/mm/dd

APPROVAL

DEVELOPER

CONSULTANTS


SEAL

DRAWN BY bh	DESIGN BY cmc
DATE 20.03.12	DATE 20.03.12

SCALE NTS

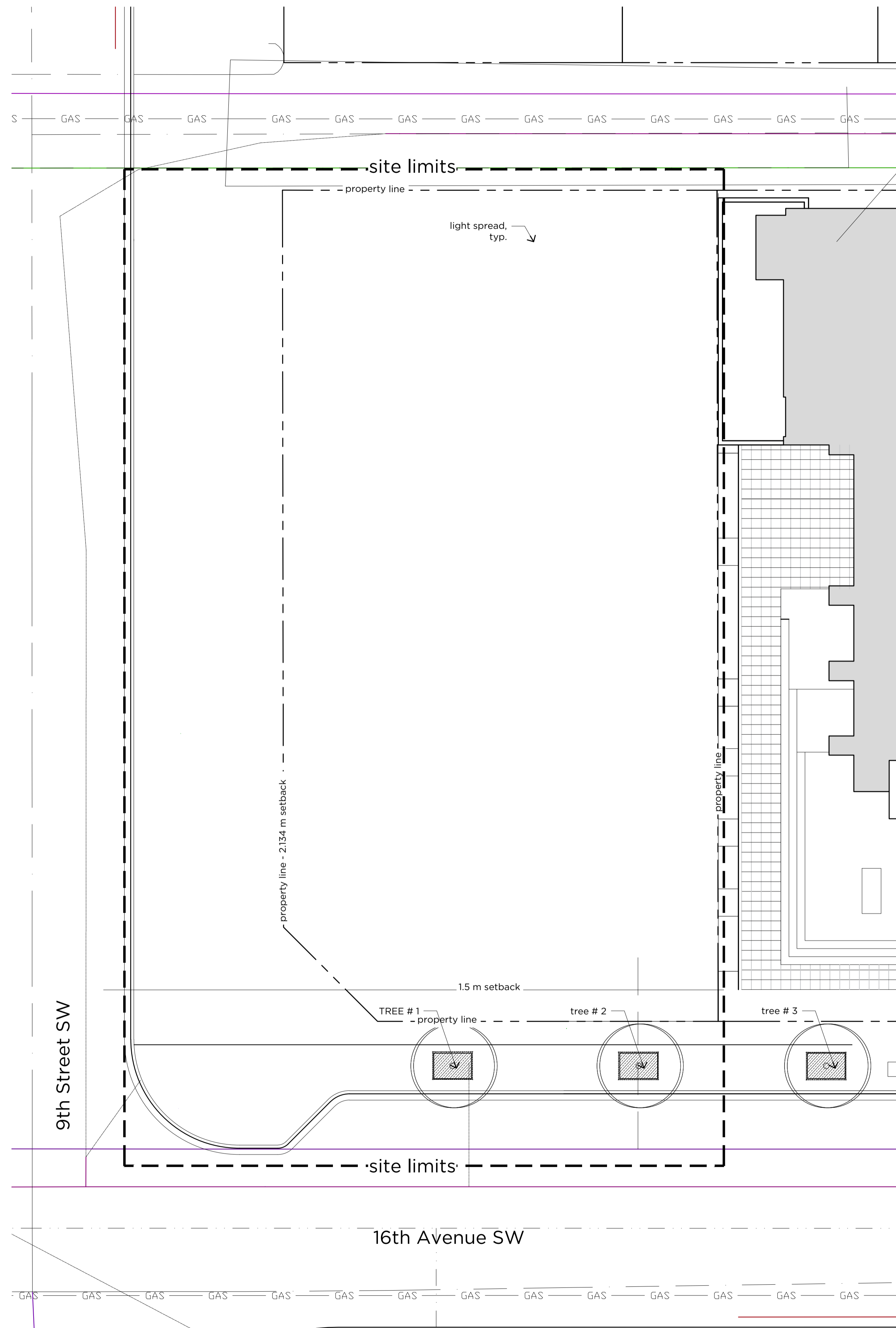
PROJECT TITLE
Beltline Park

SHEET TITLE
Data Sheet

SHEET NO. L02	FILE NO. 19.404
-------------------------	---------------------------

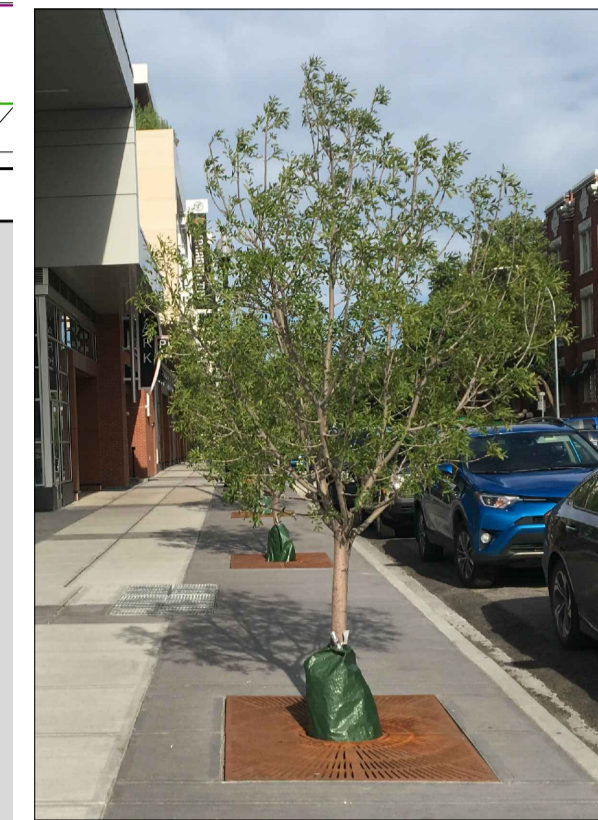
n:\01 projects\4 - park development\19_404 beltline park\02 drawings\04 design development\19_404 - ifc.dwg

Development Liason Plans



Tree # 1

Species: *Fraxinus pennsylvanica* - Green Ash
DBH: 45mm
Canopy Spread: 2 400mm
Current Height: 3 500m
Mature Height: 13 750mm



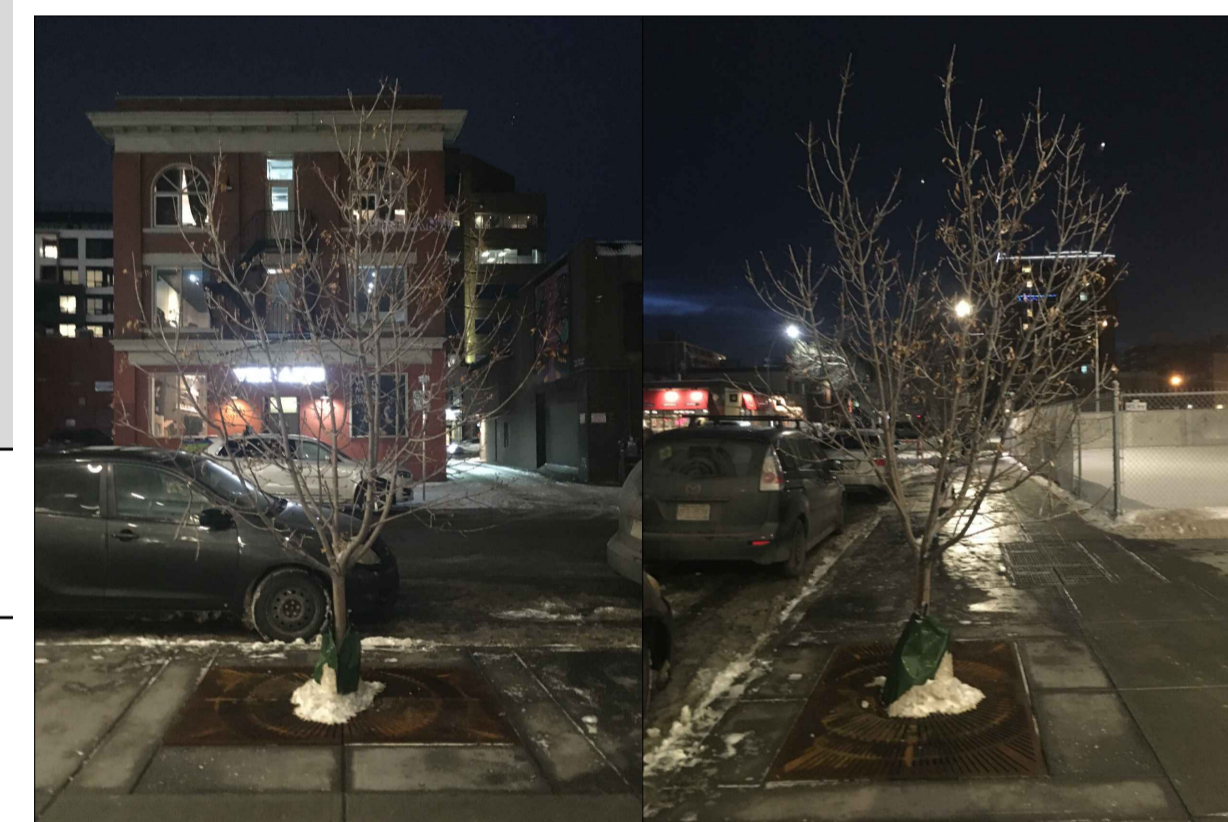
Tree # 2

Species: *Fraxinus pennsylvanica* - Green Ash
DBH: 50mm
Canopy Spread: 2 450mm
Current Height: 3 450mm
Mature Height: 13 750mm



Tree # 3

Species: *Fraxinus pennsylvanica* - Green Ash
DBH: 80mm
Canopy Spread: 2 375mm
Current Height: 3 400mm
Mature Height: 13 750mm

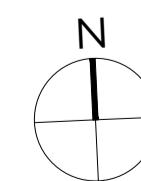
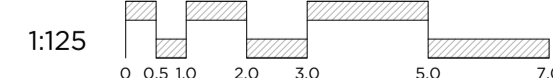


Tree Protection Legend and direction

tree protection zone with fencing

Tree protection fencing shall be:

1. installed at the edge of the existing tree grates, and attached to the tree grates to prevent movement of fencing.
2. a minimum of 1.2 meters in height.
3. bright contrasting colour and durable.
4. implemented and maintained for the duration of the project construction.
5. if canopy clearance or root pruning is necessary, Urban Forestry shall be given a minimum of 2 days notice through 311. An approved tree contractor shall complete the work upon approval of landscape architect.



REVISION / ADDITION	FIELD BOOK	DRAWN BY	DATE
issued for DL reissued for DL		bh bh	20.01.02 20.03.16

CHECKED BY **cmc** DATE **20.03.12**

APPROVED FOR:	BY	DATE
TENDER	yy/mm/dd	yy/mm/dd
CONSTRUCTION	---	yy/mm/dd

APPROVAL

DEVELOPER

CONSULTANTS

SEAL

DRAWN BY bh	DESIGN BY cmc
DATE 20.03.12	DATE 20.03.12

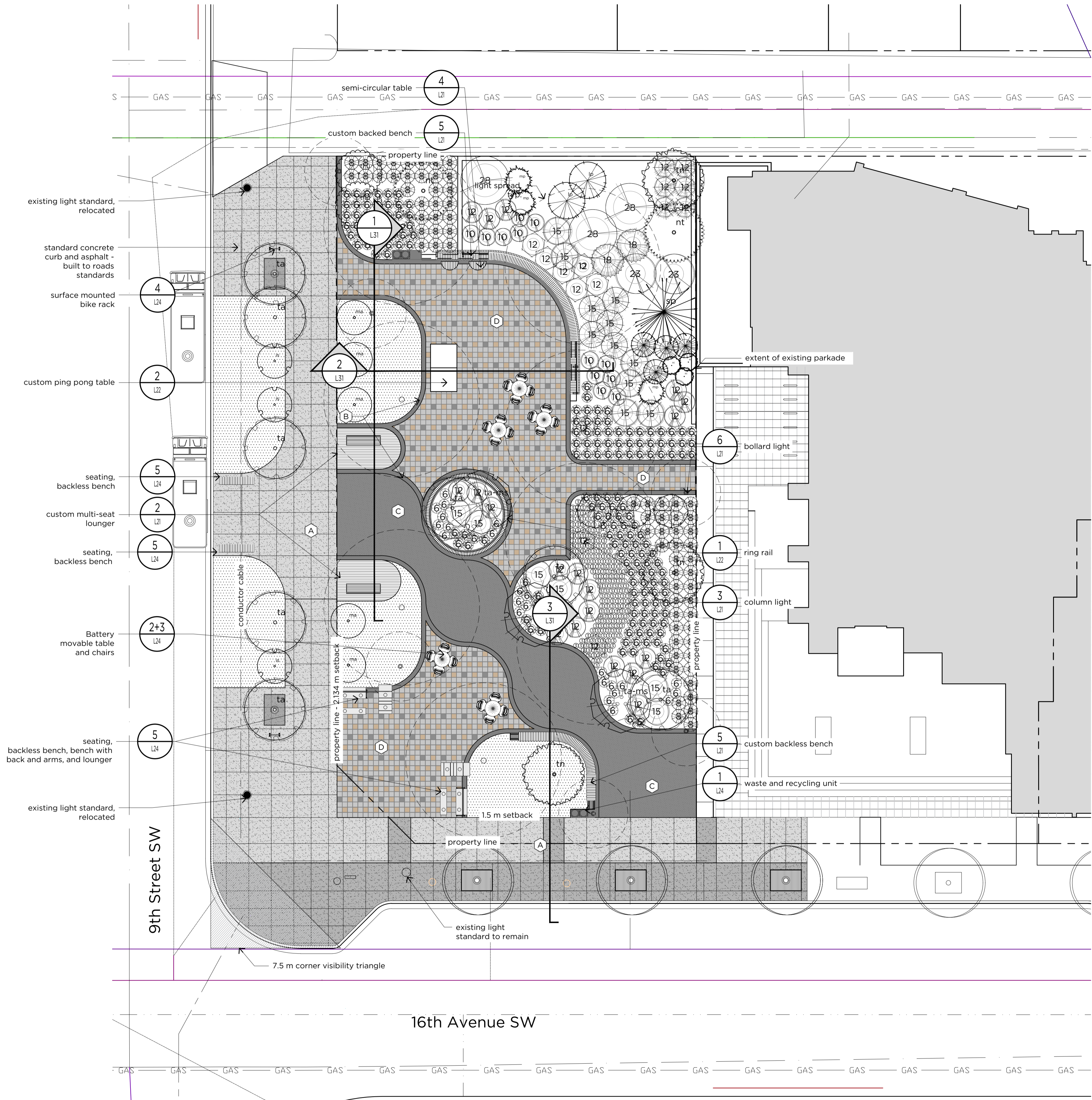
SCALE 1:125

PROJECT TITLE
Beltline Park

SHEET TITLE
Public Tree Protection Plan

SHEET NO. L03	FILE NO. 19.404
-------------------------	---------------------------

Development Liason Plans



surface material legend

hatch	tag	description
[Hatch A]	A	typical concrete sidewalk - 100mm thick, 152 x 152mm 9.1 wwf reinforcing, light broom swept finish, trowel joints
[Hatch B]	B	concrete banding - 250mm wide, 300mm thick, 10M reinforcing, light sandblast finish
[Hatch C]	C	concrete pavers - 450mm x 75mm pavers installed on concrete base
[Hatch D]	D	concrete pavers - 300mm x 300mm pavers installed on concrete base

furniture schedule

symbol	description
[Symbol 1]	maglin - movable Battery chair and table
[Symbol 2]	vestre - surface-mounted April backed bench with arms
[Symbol 3]	vestre - surface-mounted April backless bench
[Symbol 4]	vestre - surface-mounted April lounger
[Symbol 5]	bollard - LED fixture, accent lighting - fixture to be determined by electrical engineer
[Symbol 6]	custom light column - LED fixture, 35 LUX - fixture to be determined by electrical engineer
[Symbol 7]	maglin - surface mounted 500 series bicycle rack



REVISION / ADDITION	FIELD BOOK	DRAWN BY	DATE
issued for DL reissued for DL		bh bh	20.01.02 20.03.16

CHECKED BY cmc	DATE 20.03.12
APPROVED FOR:	BY DATE
TENDER	yy/mm/dd yy/mm/dd
CONSTRUCTION	--- yy/mm/dd

APPROVAL

DEVELOPER



SEAL

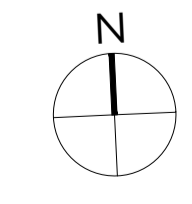
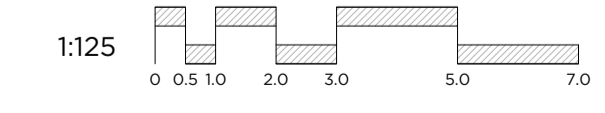
DRAWN BY bh	DESIGN BY cmc
DATE 20.03.12	DATE 20.03.12

SCALE 1:125

PROJECT TITLE
Beltline Park

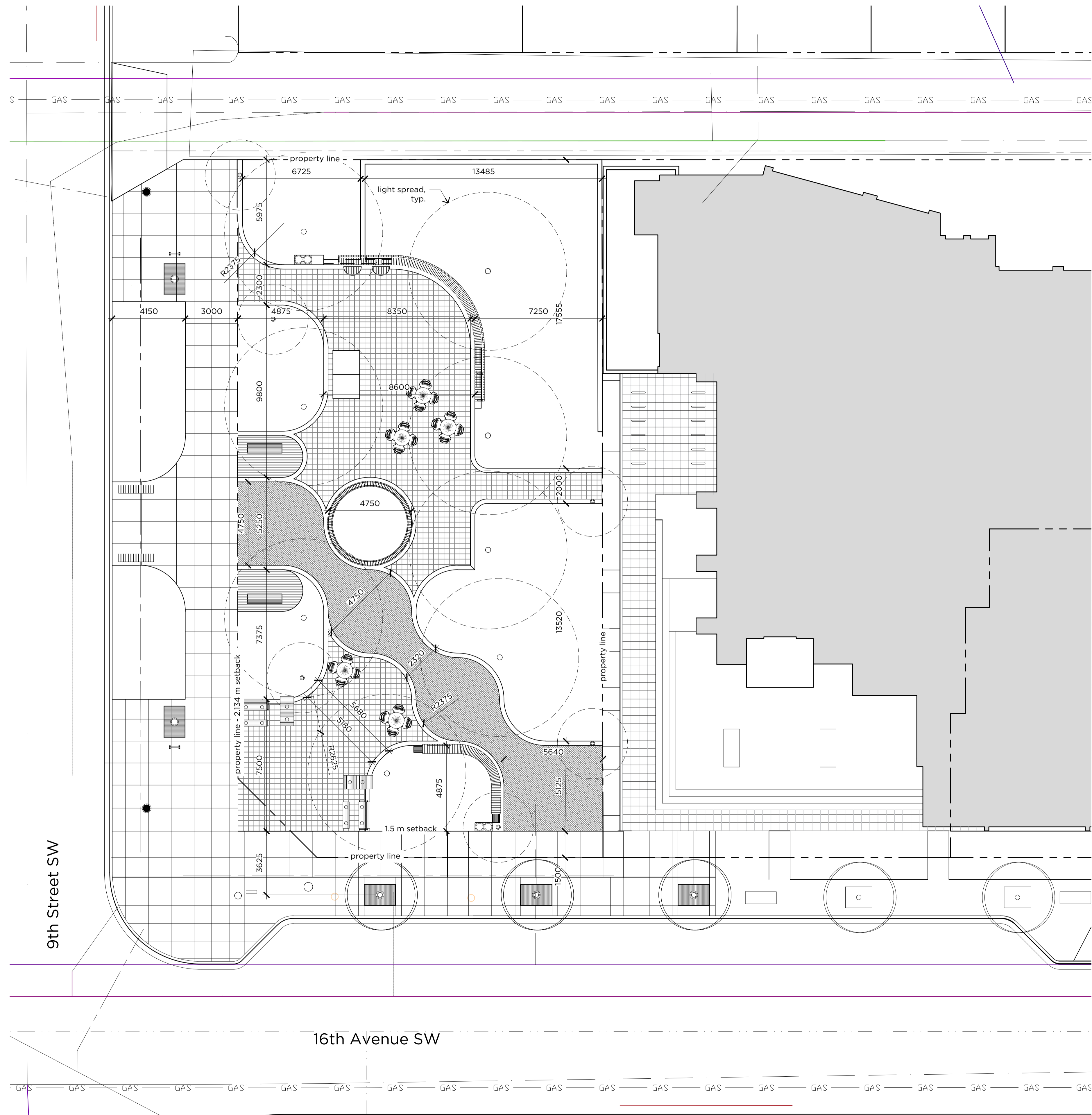
SHEET TITLE
Layout Plan

SHEET NO. L04	FILE NO. 19.404
-------------------------	---------------------------



n:\01 projects\4 - park development\19_404 beltline park\02 drawings\04 design development\19_404 - lfc.dwg

1 Layout Plan
L04 Scale 1:125



REVISION / ADDITION	FIELD BOOK	DRAWN BY	DATE
issued for DL reissued for DL		bh bh	20.01.02 20.03.16

CHECKED BY **cmc** DATE **20.03.12**

APPROVED FOR:	BY	DATE
TENDER	yy/mm/dd	yy/mm/dd
CONSTRUCTION	---	yy/mm/dd

APPROVAL

DEVELOPER



SEAL

DRAWN BY bh	DESIGN BY cmc
DATE 20.03.12	DATE 20.03.12

SCALE 1:125

PROJECT TITLE
Beltline Park

SHEET TITLE
Dimension Plan

SHEET NO. L05	FILE NO. 19.404
-------------------------	---------------------------

Development Liason Plans



grading legend

symbol	description	symbol	description
	existing grade		elevation points
	slope direction hard surfaces		top of wall elevation
			bottom of wall elevation



REVISION / ADDITION	FIELD BOOK	DRAWN BY	DATE
issued for DL reissued for DL		bh bh	20.01.02 20.03.16

CHECKED BY cmc	DATE 20.03.12
APPROVED FOR:	BY DATE
TENDER	yy/mm/dd yy/mm/dd
CONSTRUCTION	--- yy/mm/dd

APPROVAL

DEVELOPER

CONSULTANTS

SEAL

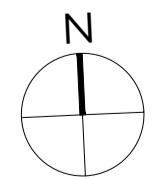
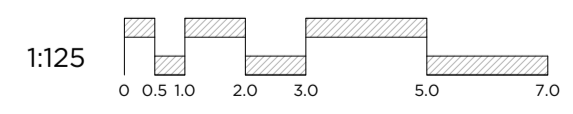
DRAWN BY bh	DESIGN BY cmc
DATE 20.03.12	DATE 20.03.12

SCALE 1:125

PROJECT TITLE
Beltline Park

SHEET TITLE
Grading Plan

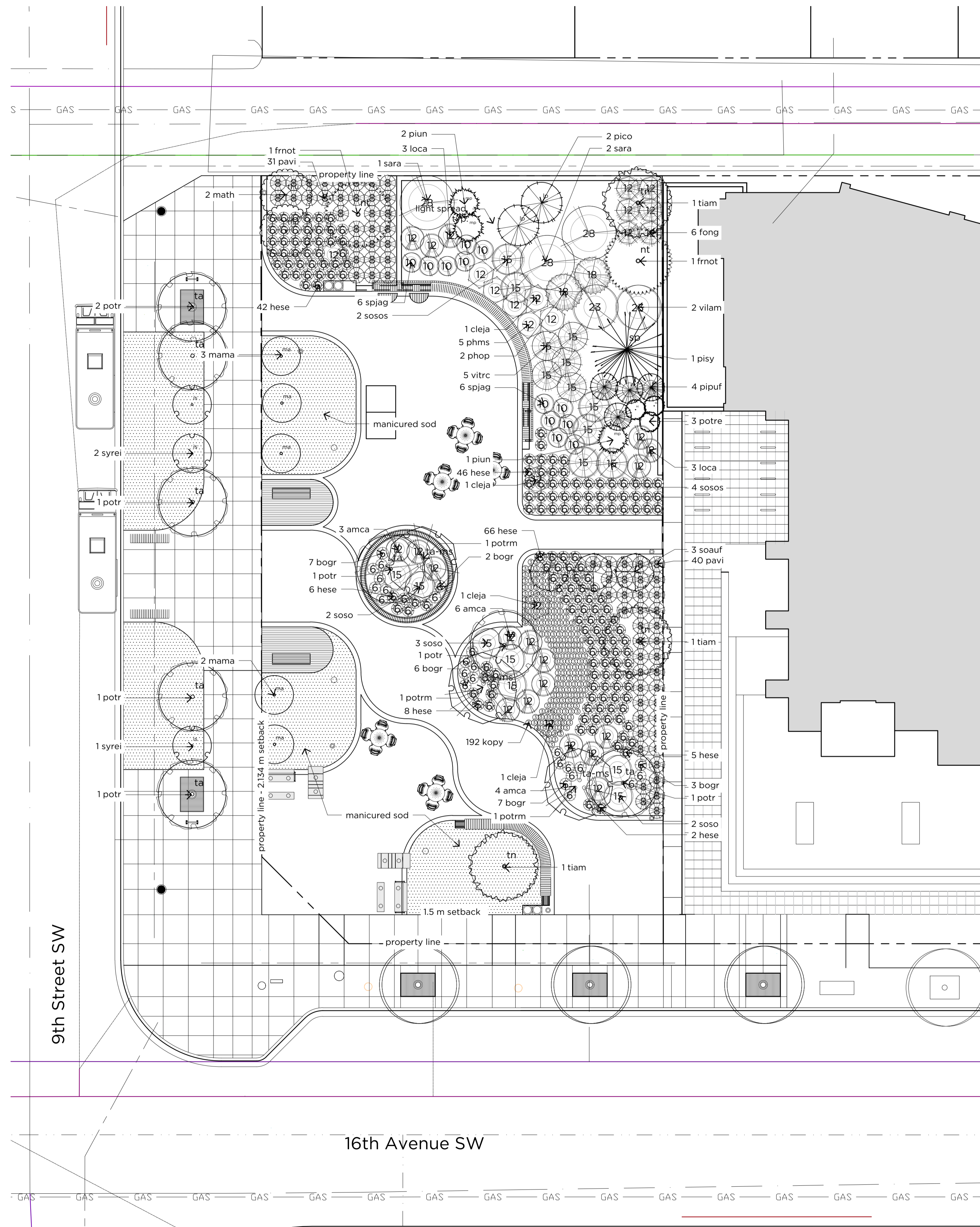
SHEET NO. L06	FILE NO. 19.404
-------------------------	---------------------------



1 Grading Plan
L06 Scale 1:125

n:\01 projects\4 - park development\19_404 beltline park\02 drawings\04 design development\19_404 - ifc.dwg

Development Liason Plans



code	botanical / common name	qty	hght	sprd	calp	root	spcg	remarks
frnot	<i>fraxinus 'northern treasure'</i> northern treasure ash	2	12m	8m	75mm	---	shown	very hardy
mama	<i>malus x 'makamik'</i> makamik crabapple	5	5m	4m	50mm	---	shown	sunny well drained soil deep rose
math	<i>malus x 'thunderchild'</i> thunderchild crabapple	2	5m	4m	50mm	---	shown	sunny well drained soil, hardy dark pink
pico	<i>pinus contorta latifolia</i> lodgepole pine	2	12m	3m	3.5mht	---	shown	evergreen, sunny well drained location
pipuf	<i>picea pungens var glauca 'Fastigiata'</i> columnar blue colorado spruce	4	10m	2.5m	2.5mht	---	shown	columnar evergreen
pisy	<i>pinus sylvestris</i> scots pine	1	12m	6m	3.5mht	---	shown	evergreen, protected location sunny location
piun	<i>pinus uncinata</i> swiss mountain pine	3	6m	3m	2.5mht	---	shown	evergreen, sunny well drained location
potr	<i>populus tremuloides</i> trembling aspen	8	10m	6m	50mm	---	shown	male variety only very hardy
potrm	<i>populus tremuloides</i> trembling aspen - multistem	3	10m	6m	3-5@40mm	---	shown	very hardy, male variety only multistem
potre	<i>populus tremula 'erecta'</i> swedish columnar aspen	3	12m	1.5m	75mm	---	shown	very hardy
soauf	<i>sorbus aucuparia 'fastigiata'</i> pyramidal mountain ash	3	8m	4m	50mm	---	shown	firelight susceptible ornamental, protected location
syrei	<i>syringa reticulata 'ivory silk'</i> tree lilac	3	5m	5m	50mm	---	shown	ornamental
tiam	<i>tilia americana 'Duros'</i> true north linden	3	12m	5m	50mm	---	shown	protected location ornamental

code	botanical / common name	qty	hght	sprd	calp	spcg	remarks
amca	<i>amorpha canescens</i> leadplant	13	1.0m	1.0m	#2	shown	perennial
bogr	<i>bouteloua gracilis</i> blue gramma grass	15	50cm	60cm	#2	shown	ornamental grass
fong	<i>forsythia x 'northern gold'</i> northern gold forsythia	6	1m	1m	#5	shown	protected location ornamental
hese	<i>helictotrichon sempervirens</i> blue oat grass	175	90cm	60cm	#2	shown	ornamental grass
kopy	<i>koeleria pyramidata</i> prairie june grass	192	25cm	25cm	#2	shown	ornamental grass
loca	<i>lonicera caerulea var eidulis opp varieties</i> honeyberries	6	1m	1m	#5	shown	protected location ornamental
pavi	<i>panicum virgatum 'prairie sky'</i> prairie sky switchgrass	71	120cm	75cm	#2	shown	ornamental grass
phms	<i>philadelphus x 'minnesota snowflake'</i> minnesota snowflake mockorange	5	1.5m	1m	#5	shown	protected location ornamental, shade tolerant
phop	<i>physocarpus opulifolius 'centre glow'</i> centre glow ninebark	2	2.5m	2m	#5	shown	ornamental
sara	<i>sambucus racemosa</i> european elder	3	4m	3m	#5	shown	
soso	<i>sobaria sorbifolia</i> ural false spirea	7	2m	3m	#5	shown	ornamental
sosos	<i>sobaria sorbifolia 'sem'</i> sem false spirea	6	2m	3m	#5	shown	ornamental
spjag	<i>spirea japonica 'goldmound'</i> goldmound spirea	12	1m	1m	#2	shown	ornamental, sunny location
vilam	<i>viburnum lantana 'Mohican'</i> wayfaring tree	2	3m	2.5m	#5	shown	
vitrc	<i>viburnum trilobum 'compactum'</i> dwarf highbush cranberry	5	1m	1m	#2	shown	protected location
cleja	<i>clematis 'jackmanii'</i> clematis	4	2m	1m	NA	shown	climbing vine

NOTE:
All soft landscaping areas to have an automated irrigation system.
All manicured sod areas to be irrigated with pop-up heads, all others to use drip-line irrigation.



REVISION / ADDITION	FIELD BOOK	DRAWN BY	DATE
issued for DL reissued for DL		bh	20.01.02 20.03.16

CHECKED BY **cmc** DATE **20.03.12**

APPROVED FOR: BY DATE

TENDER yy/mm/dd yy/mm/dd

CONSTRUCTION --- yy/mm/dd

APPROVAL

DEVELOPER

CONSULTANTS



SEAL

DRAWN BY **bh** DESIGN BY **cmc**

DATE **20.03.12** DATE **20.03.12**

SCALE **1:125**

PROJECT TITLE

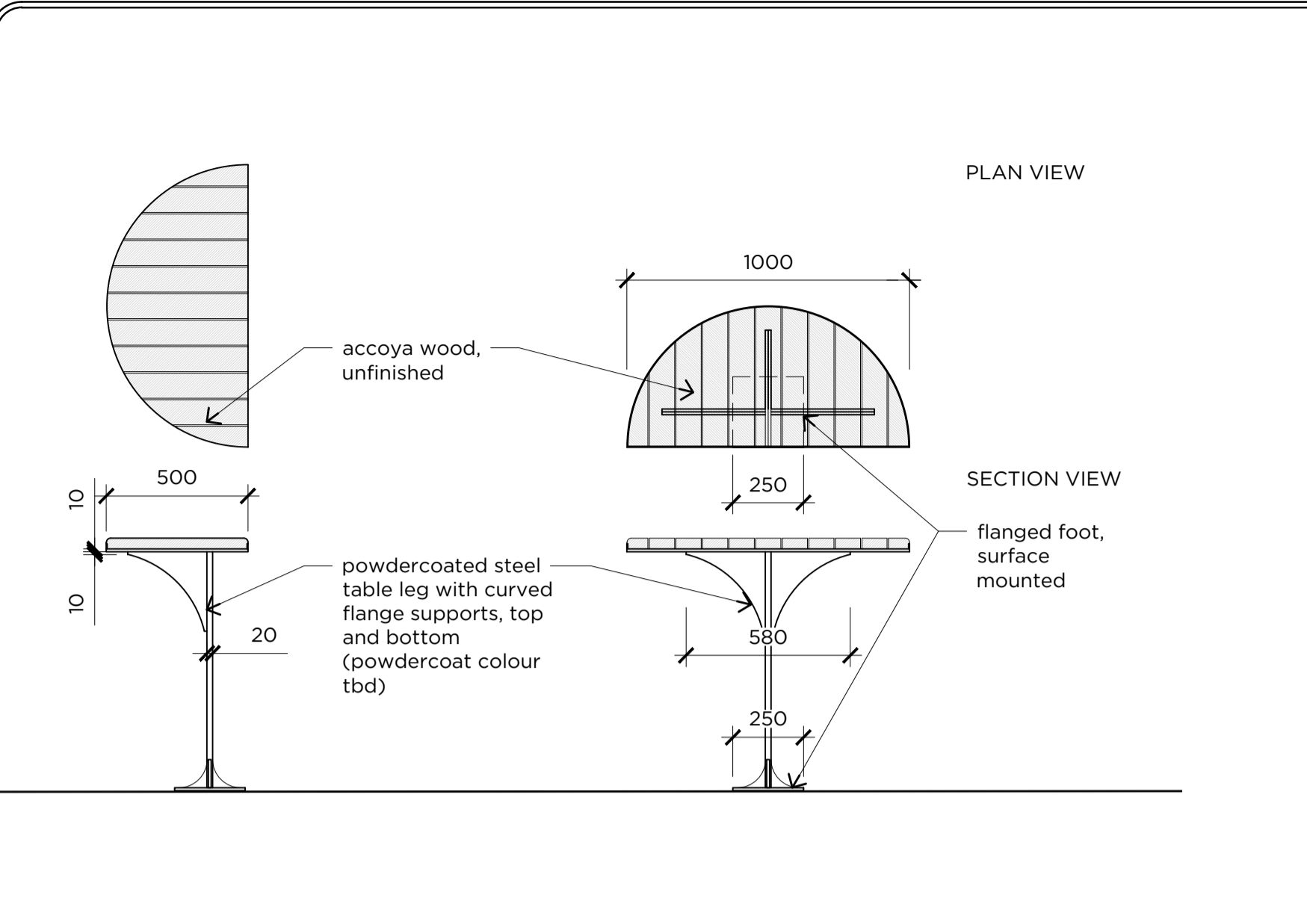
Beltline Park

SHEET TITLE

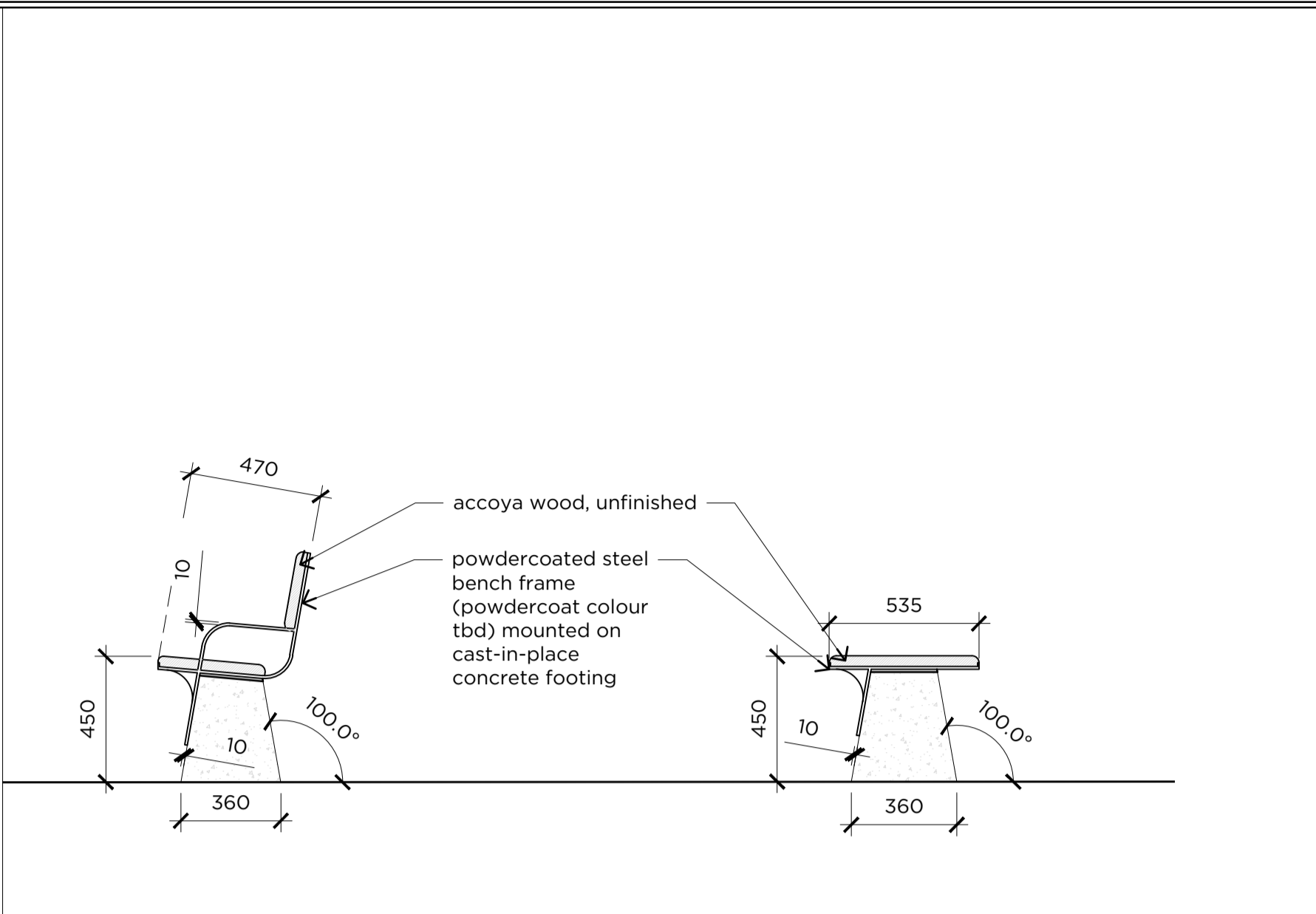
Planting Plan

SHEET NO. **L07** FILE NO. **19.404**

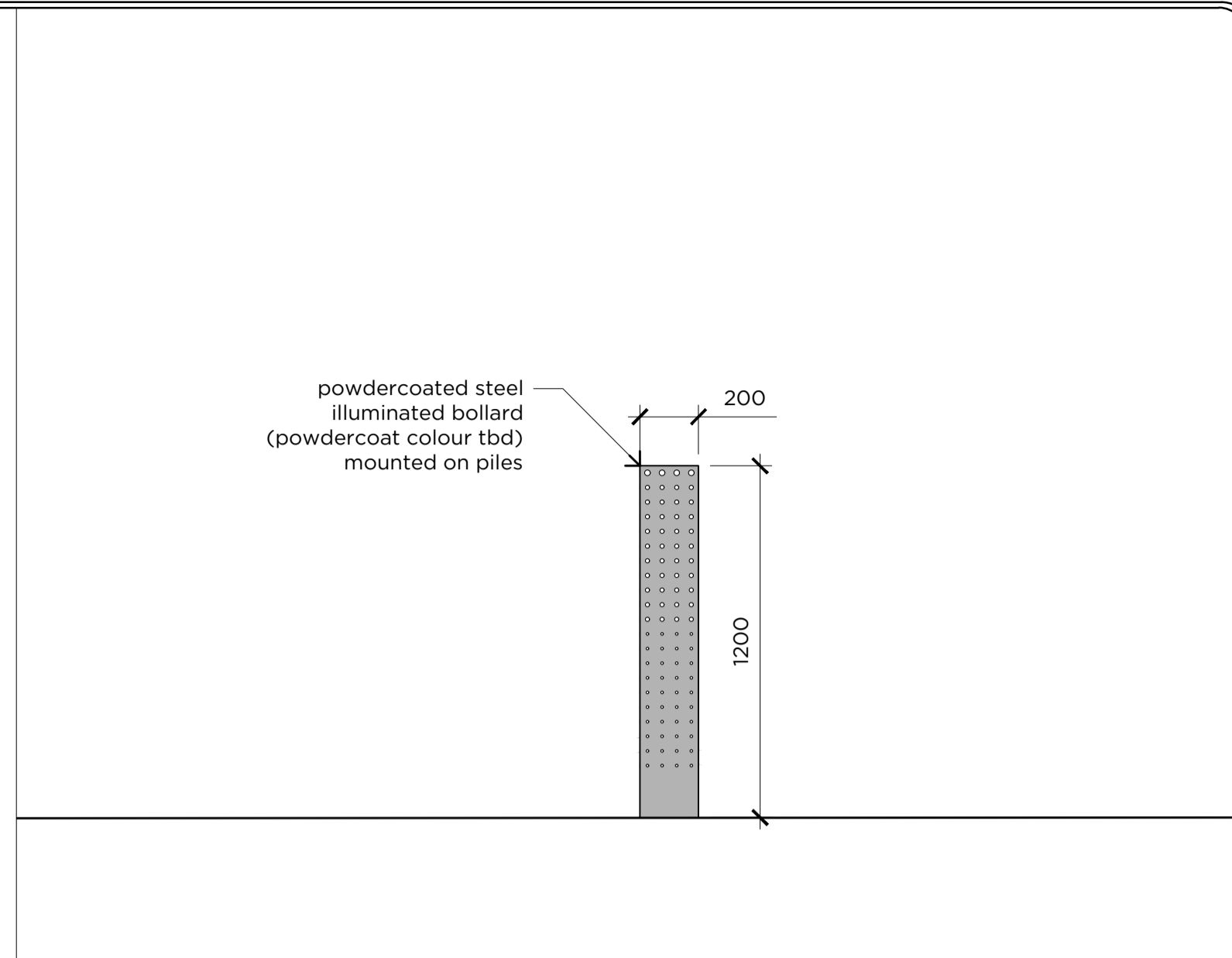
Development Liason Plans



4 semi-circular table
L21 Scale 1:20



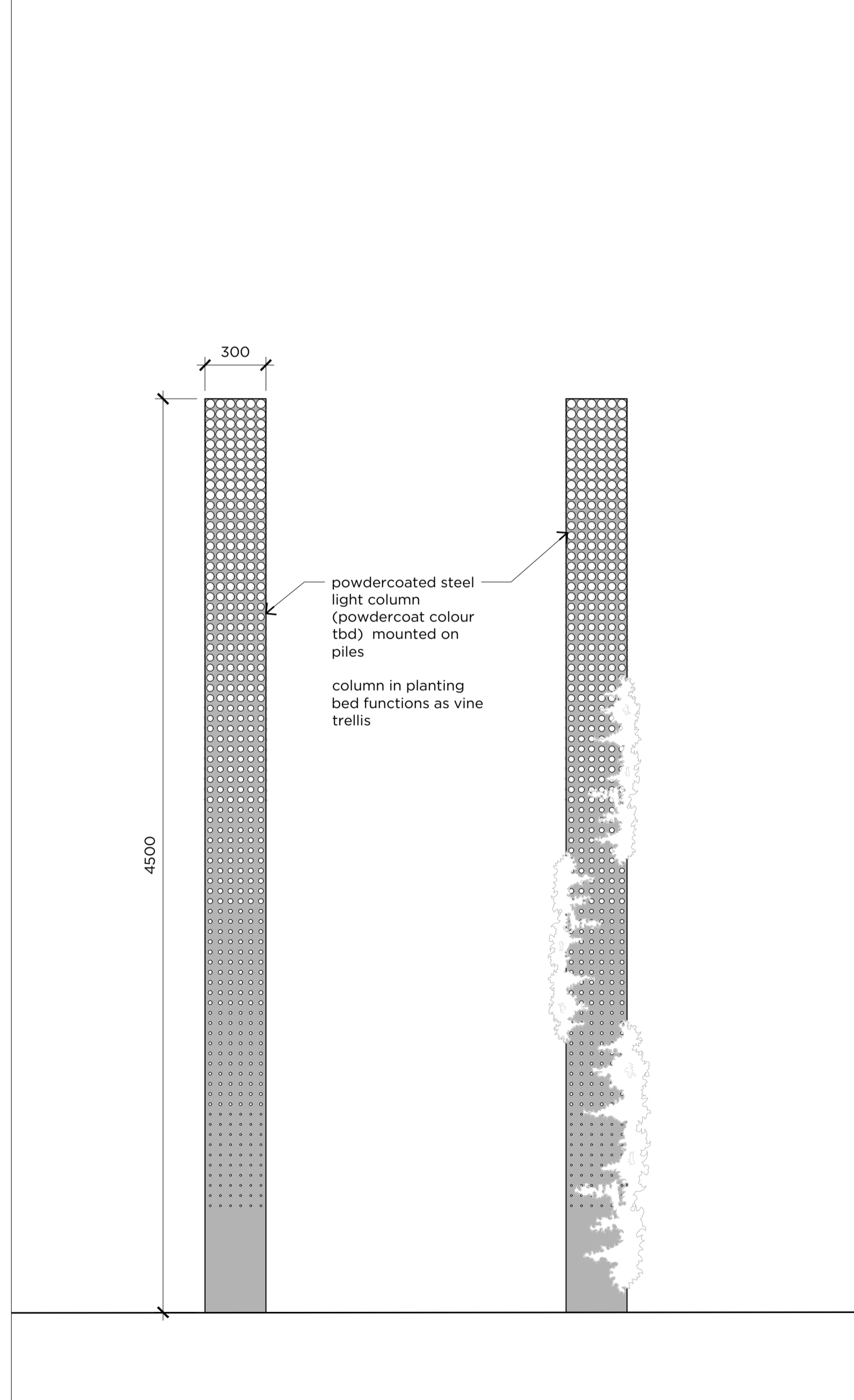
5 custom backed and backless benches
L21 Scale 1:20



6 custom bollard light
L21 Scale 1:20



2 custom multi-seat lounger
L21 Scale 1:20



3 custom light column
L21 Scale 1:20



REVISION / ADDITION	FIELD BOOK	DRAWN BY	DATE
issued for DL reissued for DL		bh bh	20.01.02 20.03.16

CHECKED BY	CMc	DATE	20.03.12
APPROVED FOR:		BY	DATE
TENDER	yy/mm/dd	yy/mm/dd	
CONSTRUCTION	---	yy/mm/dd	

APPROVAL

DEVELOPER



SEAL

DRAWN BY	bh	DESIGN BY	cmc
DATE	20.03.12	DATE	20.03.12

SCALE 1:20

PROJECT TITLE
Beltline Park

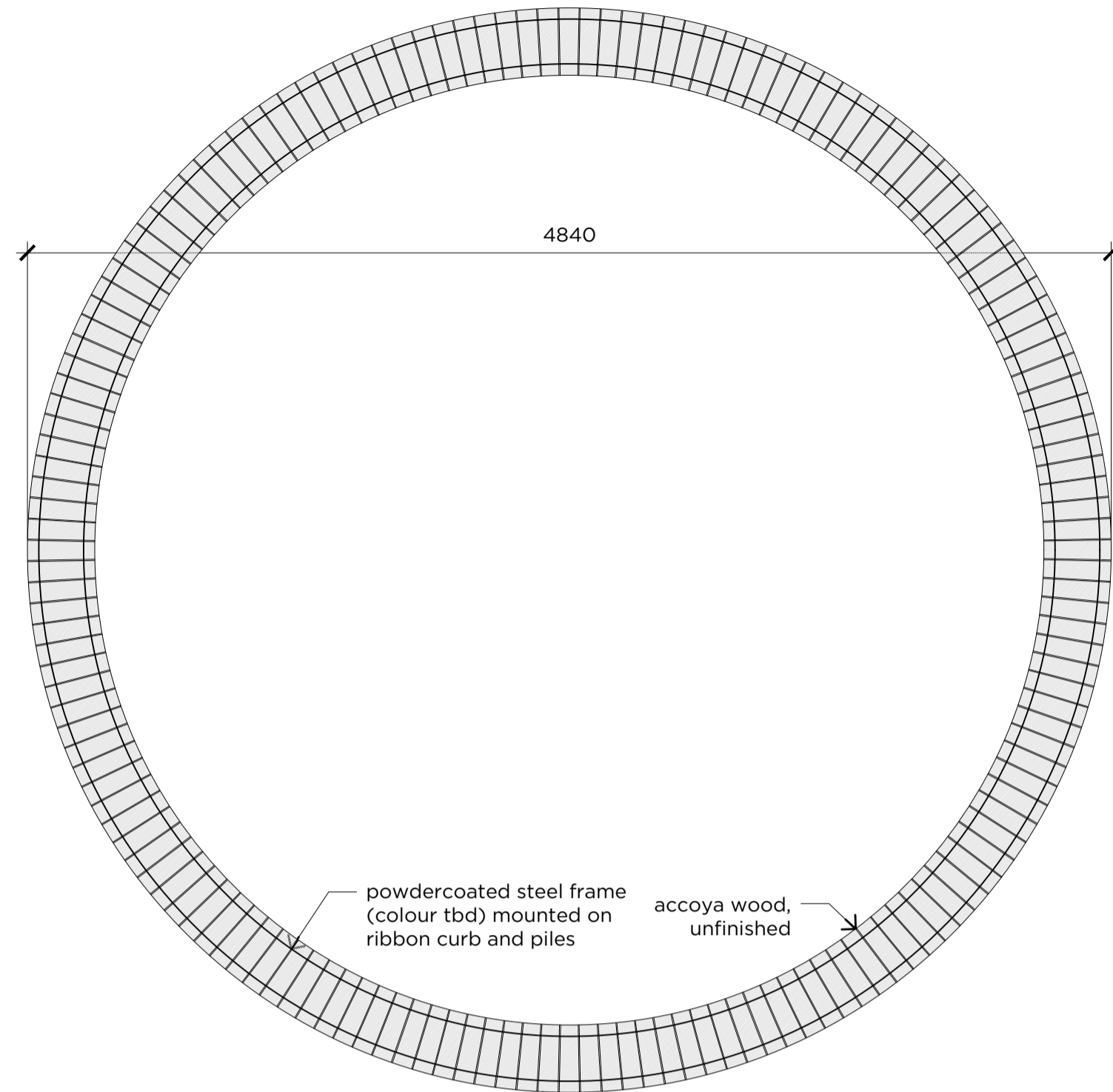
SHEET TITLE
Details

SHEET NO.	L21	FILE NO.	19.404
-----------	-----	----------	--------

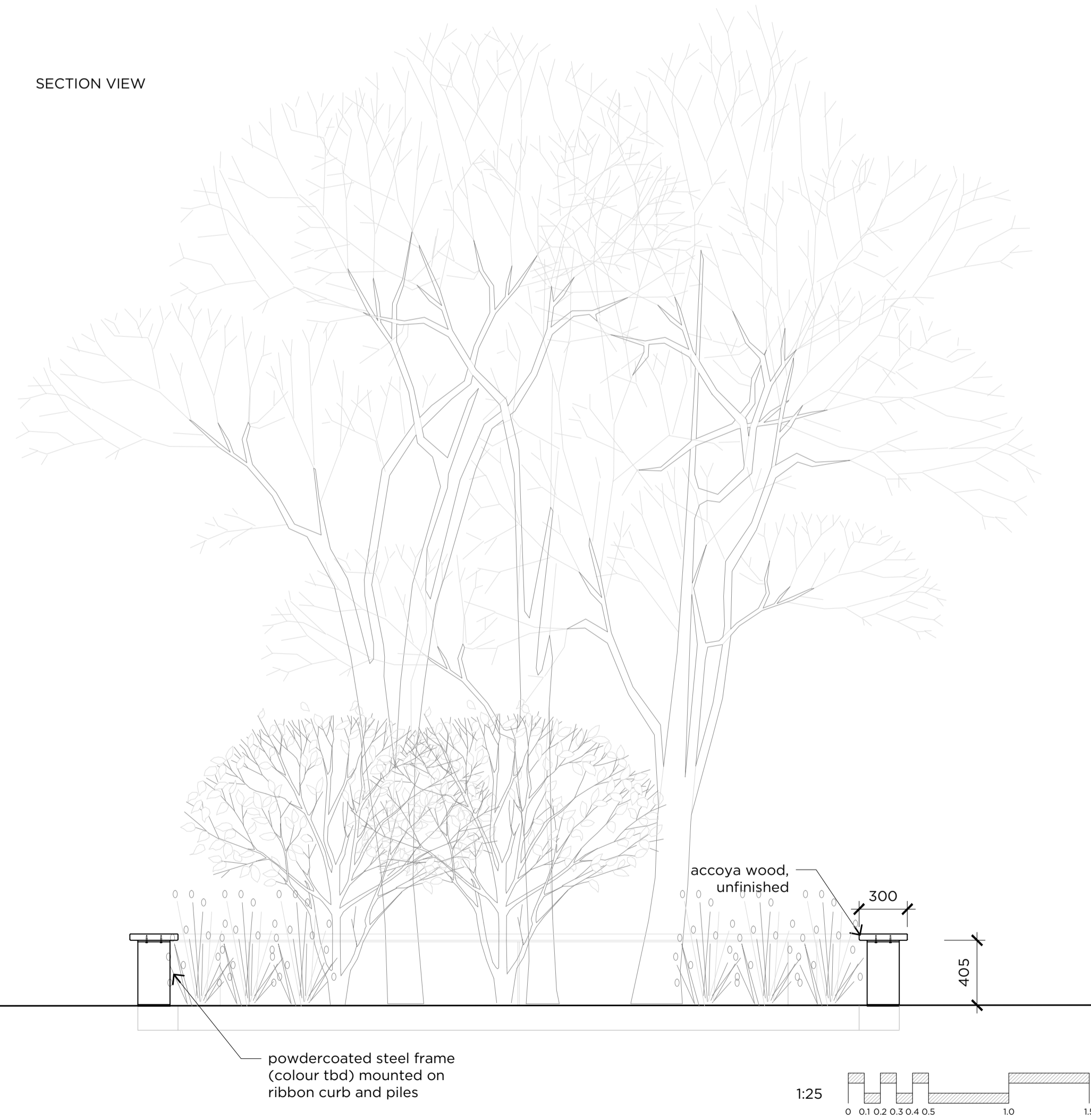
n:\01 projects\4 - park development\19_404 beltline park\02 drawings\04 design development\19_404 - details.dwg

Development Liason Plans

PLAN VIEW

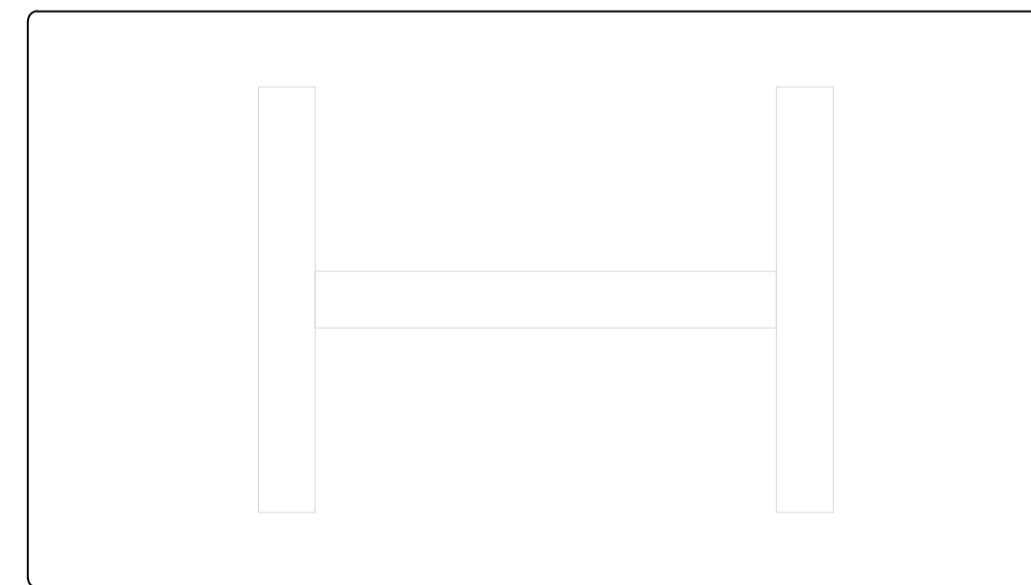


SECTION VIEW

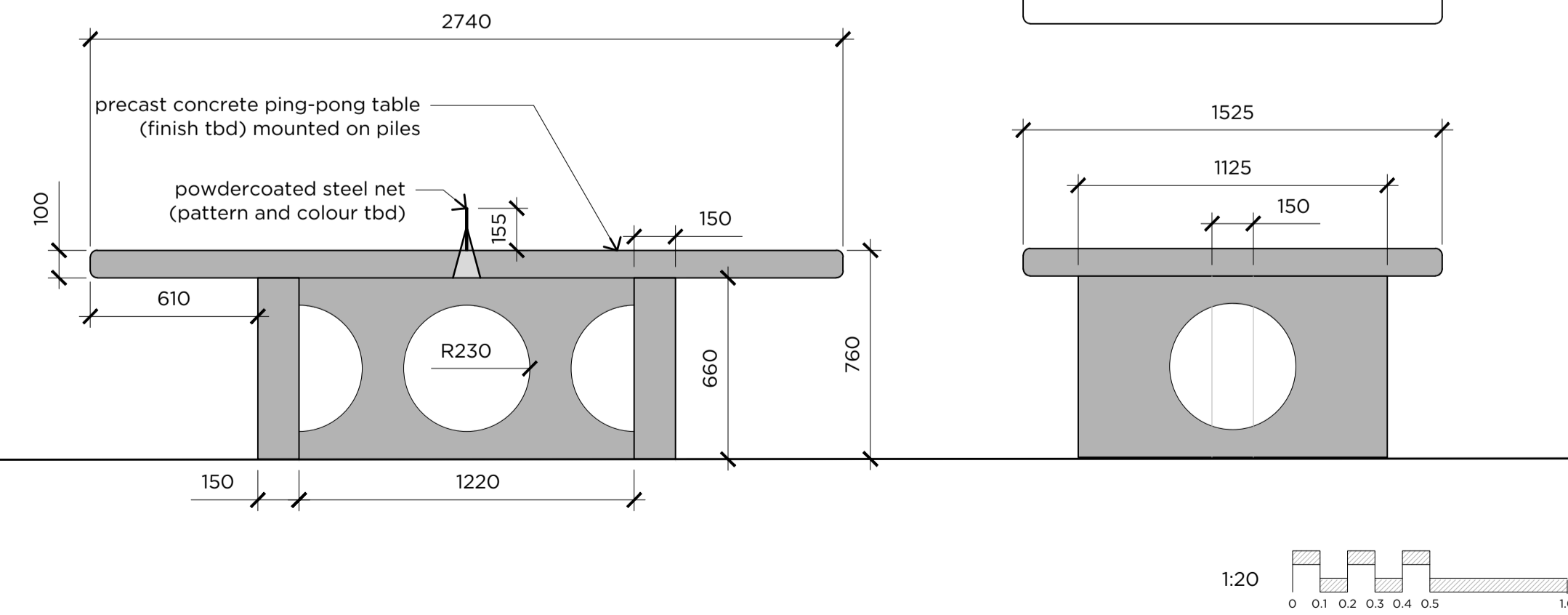


1 ring rail
L22 Scale 1:25

PLAN VIEW



SECTION VIEW



2 custom ping pong table
L22 Scale 1:20



REVISION / ADDITION	FIELD BOOK	DRAWN BY	DATE
issued for DL reissued for DL		bh bh	20.01.02 20.03.16

CHECKED BY **CMc** DATE **20.03.12**

APPROVED FOR:	BY	DATE
TENDER	yy/mm/dd	yy/mm/dd
CONSTRUCTION	---	yy/mm/dd

APPROVAL

DEVELOPER

CONSULTANTS
groundcubed
landscape architects

SEAL

DRAWN BY bh	DESIGN BY cmc
DATE 20.03.12	DATE 20.03.12

SCALE 1:25

PROJECT TITLE
Beltline Park

SHEET TITLE
Details

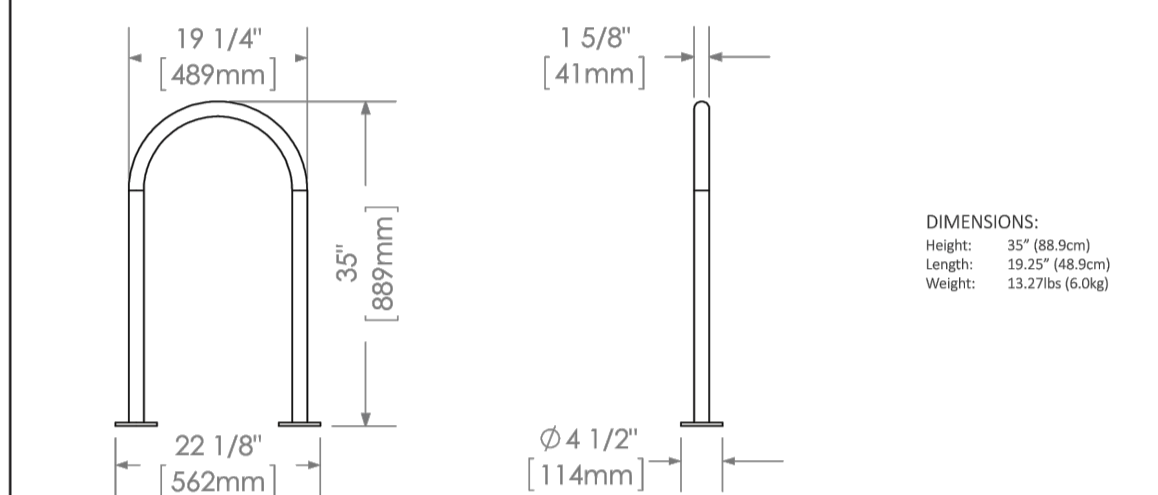
SHEET NO. L22	FILE NO. 19.404
-------------------------	---------------------------

n:\01 projects\4 - park development\19_404 beltline park\02 drawings\04 design development\19_404 - details.dwg

500 SERIES
MBR500-S



MATERIALS: All parts are made from H.S. steel tube.
FINISH: All steel components are protected with E-Coat rust proofing. The Maglin Powdercoat System provides a durable finish on all metal surfaces.
INSTALLATION: The bike rack is delivered pre-assembled. It is available with either a surface mount or direct burial installation option.
TO SPECIFY: Select MBR500-S
Choose:
- Powdercoat Color
- Galvanized Finish
- Surface Mount (MBR500-S-G)



DIMENSIONS:
Height: 35\"/>

4 surface mounted bike rack
L24 Scale NTS

April
vestre

The largest series in Vestre's range, April is diverse yet consistent to its particularly Scandinavian design language. The range accommodates a wide variation of social meeting places through the adaptability found within the standardised products. Lifetime warranty against rust and 15 years on wood and powder coating.

DESIGN:
ESPEN VOLL, TORE BORGENSEN & MICHAEL OLOFSSON

TECHNICAL INFORMATION

XXX 900 Hot dip galvanized, then powder coated in a RAL color of the customer's choice.
XXX 901 Hot dip galvanized, which produces a grey finish with permanent rust protection.

April chair
Anchoring A, B, C or MK
Art. 70.900AK
Art. 70.900AK
Art. 70.900A
Art. 70.900B
Art. 70.900C
Art. 70.900C
Art. 70.900C
Free-standing
Art. 70.900
Art. 70.900
Weight: 161.1118 kg
Backrest and armrests available

April bar chair
Anchoring A or C
Art. 70.900AK
Art. 70.900AK
Art. 70.900A
Art. 70.900B
Art. 70.900C
Art. 70.900C
Art. 70.900C
Free-standing
Art. 70.900
Art. 70.900
Weight: 204.471 kg
Armrests available

April seat
Anchoring A, B, C or MK
Art. 70.900AK
Art. 70.900AK
Art. 70.900A
Art. 70.900B
Art. 70.900C
Art. 70.900C
Art. 70.900C
Free-standing
Art. 70.900
Art. 70.900
Weight: 114.245 kg
Armrests available

5 vestre seating
L24 Scale NTS

April sun bench
Art. 70.900AK
Art. 70.900AK
Art. 70.900C
Art. 70.900C
Weight: 197.710 kg

April round table
Small size, anchoring A
Art. 70.900AK
Art. 70.900AK
Art. 70.900C
Art. 70.900C
Weight: 37.455 kg
Large size, anchoring A
Art. 70.900AK
Art. 70.900AK
Art. 70.900C
Art. 70.900C
Weight: 48.955 kg
Small size, Free-standing
Art. 70.900
Art. 70.900
Weight: 37.455 kg
Large size, Free-standing
Art. 70.900
Art. 70.900
Weight: 48.955 kg

April standard table
Anchoring A or C
Art. 70.900AK
Art. 70.900AK
Art. 70.900C
Art. 70.900C
Art. 70.900C
Free-standing
Art. 70.900
Art. 70.900
Weight: 109.955 kg
Adapted for wheelchair
Anchoring A or C
Art. 70.900AK
Art. 70.900AK
Art. 70.900C
Art. 70.900C
Art. 70.900C
Free-standing
Art. 70.900
Art. 70.900
Weight: 80.900 kg

April litter bin
70 lines
Art. 70.900
Art. 70.900
Art. 70.900
Art. 70.900
Weight: 38.955 kg
145 lines
Art. 70.900
Art. 70.900
Art. 70.900
Art. 70.900
Weight: 57.100 kg
175 lines
Art. 70.900
Art. 70.900
Art. 70.900
Art. 70.900
Weight: 60.900 kg

CORROSION CLASS (ISO 9001)
C1 C2 C3 C4 CS-I CS-M
Art 300

TIMBER
OUTDOOR: 1 Koborn, 3 Nordic Pine
INDOOR: 2 Oak, 4 Ash

METALS
World's greenest steel, sourced in the Nordics. Steel thickness: 8 mm unless otherwise stated.

MOUNTING OPTIONS
Free-standing or surface-mounted.

CERTIFICATIONS
Intertek

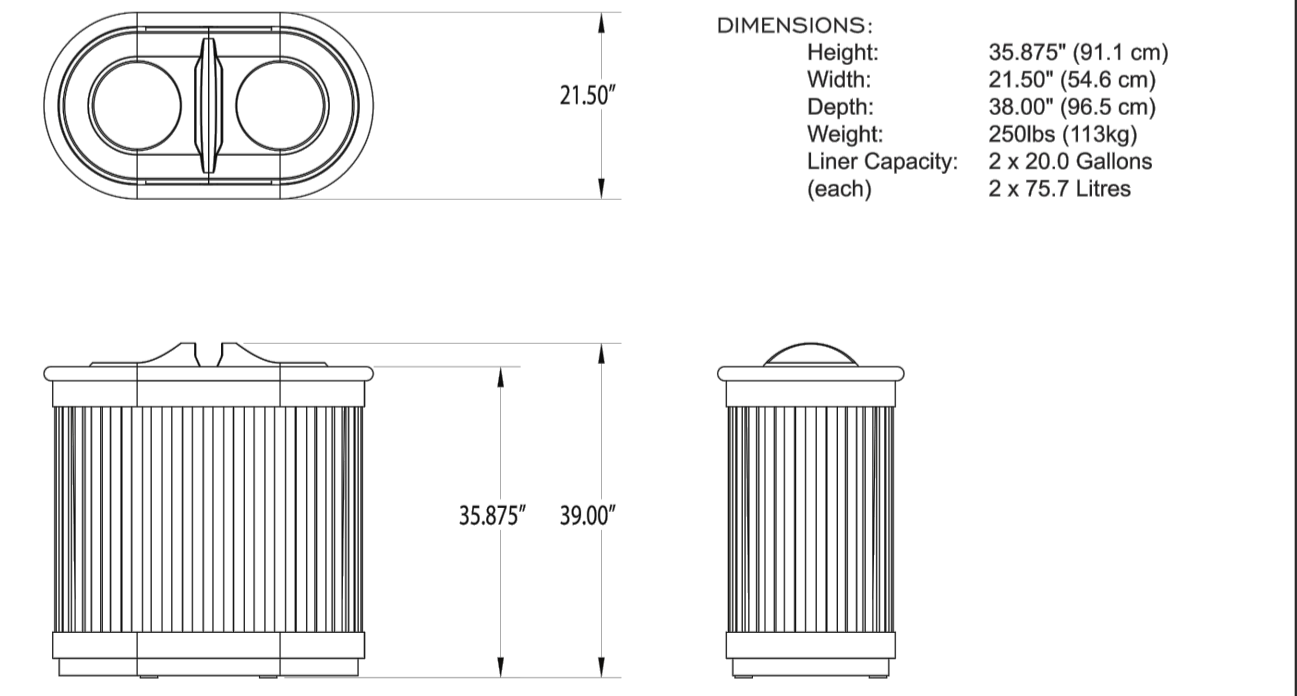
ANCHORING
We are here for you.
+47 23 00 78 40
post@vestre.com
www.vestre.com

3 movable Battery table
L24 Scale NTS

MAGLIN
T: 800-716-5506
F: 877-260-9393
WWW.MAGLIN.COM
SALES@MAGLIN.COM

MRC252-ST

MATERIALS: The recycling station frame is constructed using heavy duty steel flatbar. 2 - 20 gallon commercial grade plastic liners and black molded plastic lid are provided.
FINISH: All steel components are protected with E-Coat rust proofing. The Maglin Powdercoat System provides a durable finish on all metal surfaces.
INSTALLATION: The recycling station is delivered pre-assembled. Holes (0.5") are provided in each mounting foot for securing to base.
TO SPECIFY: Select MRC252
Choose:
- Powdercoat Color
- Standard Lid (ST) or lid options shown below
OPTIONS:
- Recycle Labels
- Spun Metal Lids
- Trash Opening (MTO)
- Bottle/Can Lid (MBC)
- Paper Slot Lid (MPS)



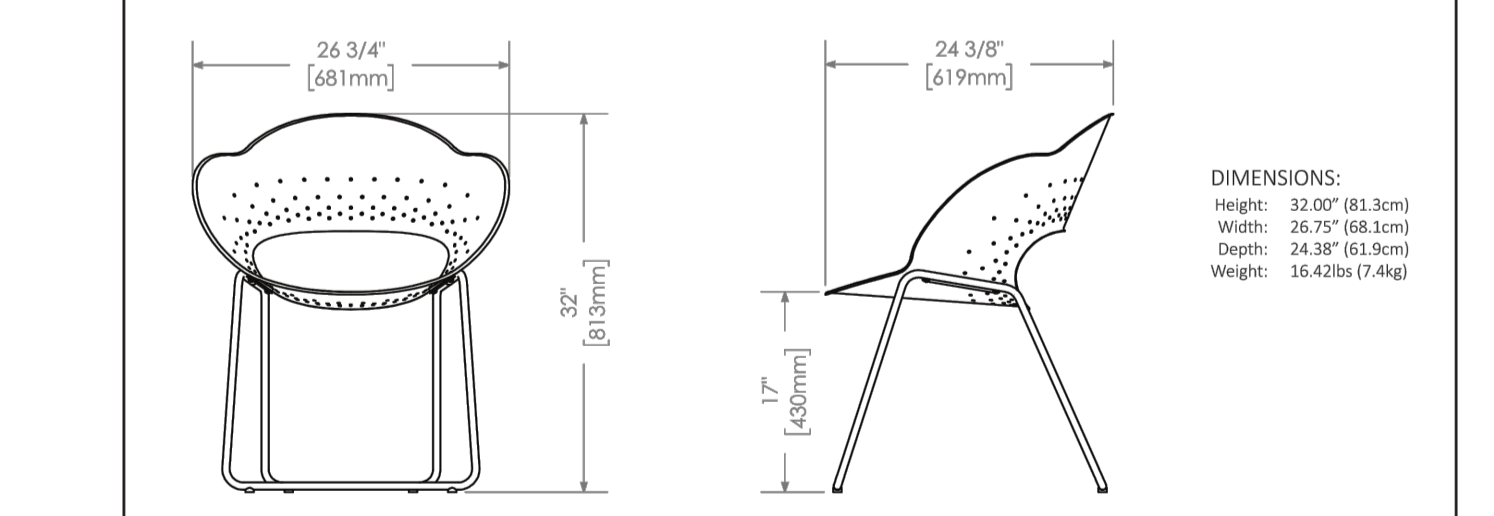
DIMENSIONS:
Height: 35.875\"/>

1 trash and waste receptacle
L24 Scale NTS

BATTERY



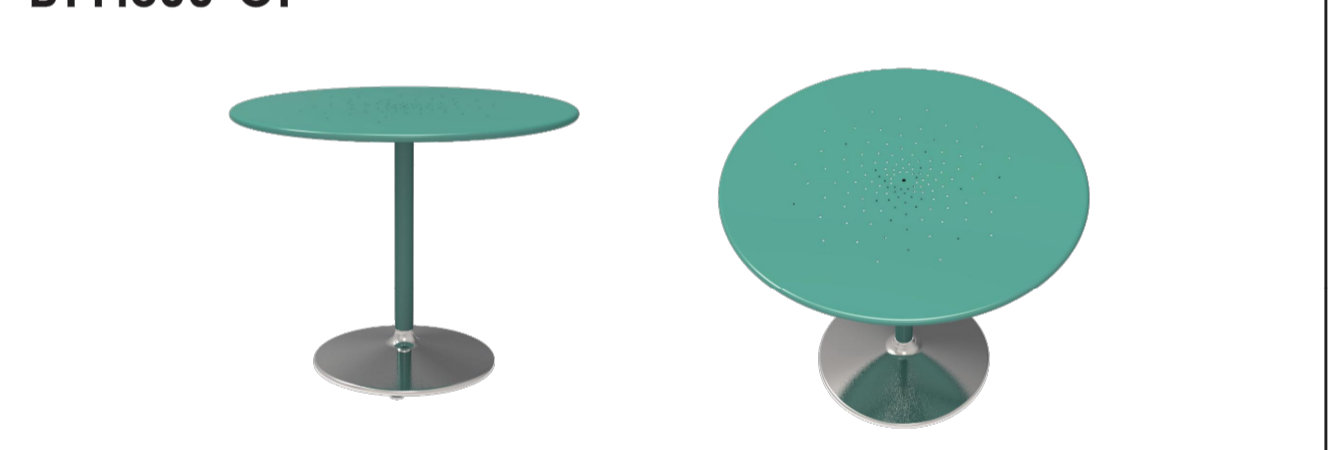
MATERIALS: The chair frame is constructed of stainless steel. The seat is made from carbon steel.
FINISH: All carbon steel components are protected with E-Coat rust proofing. The Maglin Powdercoat System provides a durable finish on all metal surfaces.
INSTALLATION: The chair comes pre-assembled and can be stacked and stored 4 chairs high.
TO SPECIFY: Select BTC1800
Choose:
- Powdercoat Color



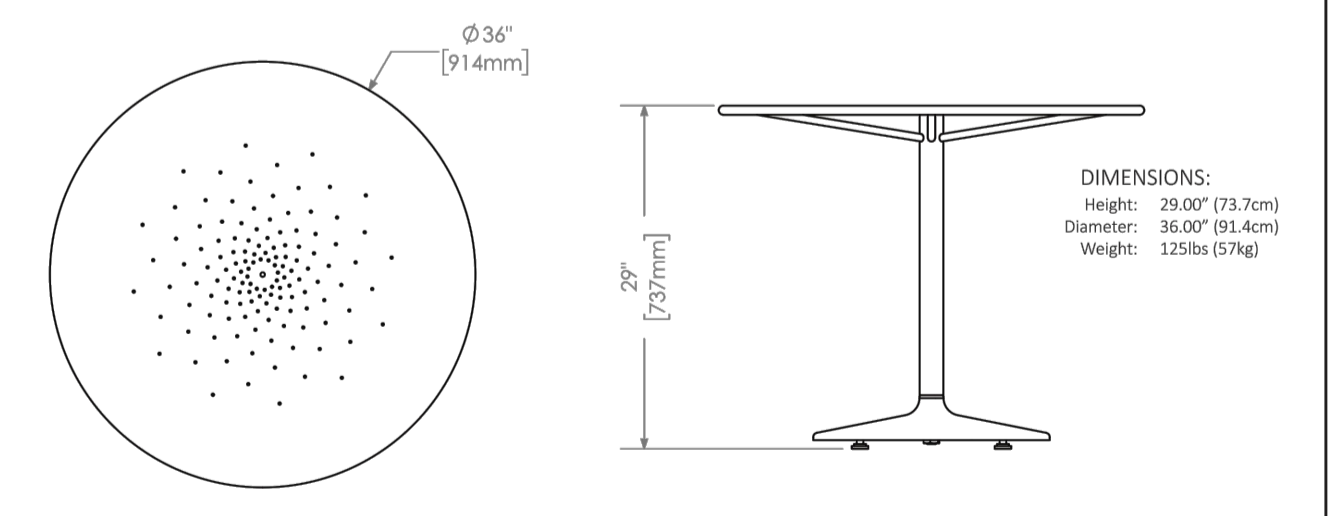
DIMENSIONS:
Height: 32.00\"/>

2 movable Battery chair
L24 Scale NTS

BATTERY



MATERIALS: The table top surface is steel with a pattern of holes. The post and frame are steel. The base is covered with a stainless steel cap.
FINISH: All steel components are protected with E-Coat rust proofing. The Maglin Powdercoat System provides a durable finish on all metal surfaces.
INSTALLATION: The table comes pre-assembled. 4 leveling feet are provided.
TO SPECIFY: Select BTT1800-CT
Choose:
- Powdercoat Color



DIMENSIONS:
Height: 29.00\"/>

3 movable Battery table
L24 Scale NTS



REVISION / ADDITION	FIELD BOOK	DRAWN BY	DATE
issued for DL reissued for DL		bh	20.01.02 20.03.16

CHECKED BY	CMc	DATE	20.03.12
APPROVED FOR:		BY	DATE
TENDER		yy/mm/dd	yy/mm/dd
CONSTRUCTION		---	yy/mm/dd

APPROVAL

DEVELOPER

CONSULTANTS

SEAL

DRAWN BY	bh	DESIGN BY	cmc
DATE	20.03.12	DATE	20.03.12

SCALE NTS

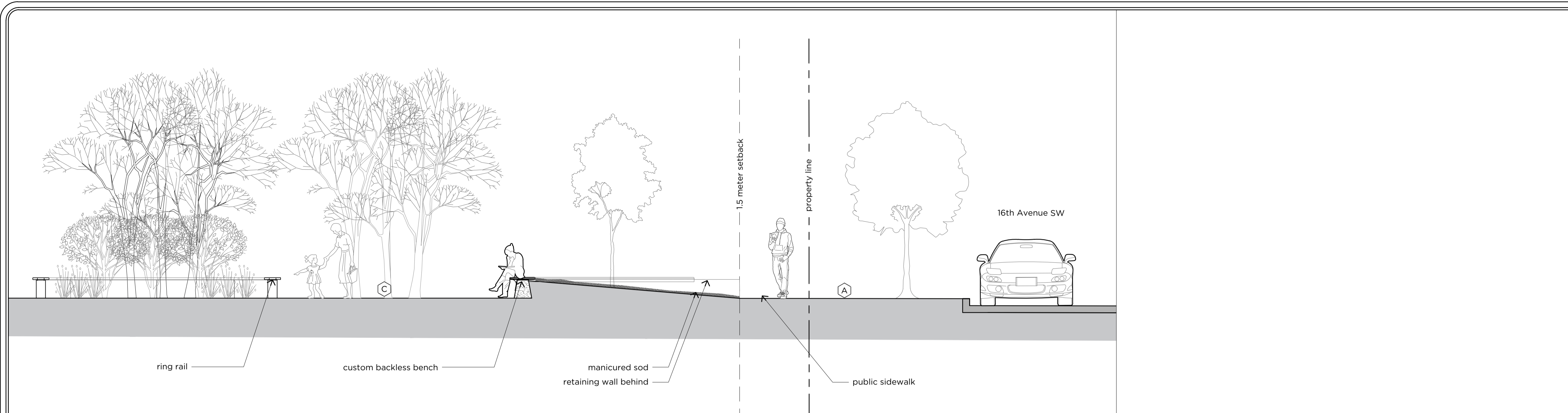
PROJECT TITLE
Beltline Park

SHEET TITLE
Details

SHEET NO.	L24	FILE NO.	19.404
-----------	-----	----------	--------

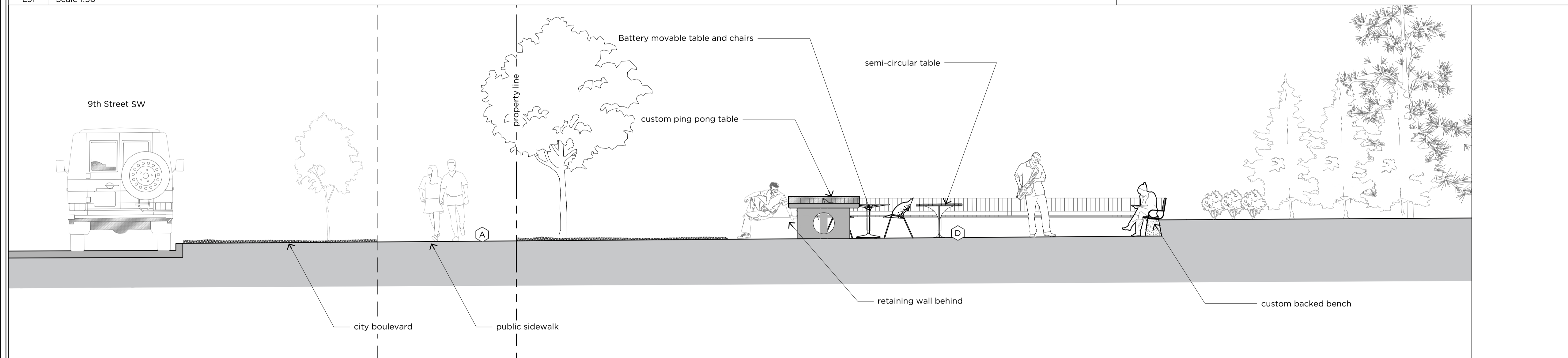
n:\01 projects\4 - park development\19_404 beltline park\02 drawings\04 design development\19_404 - details.dwg

Development Liason Plans



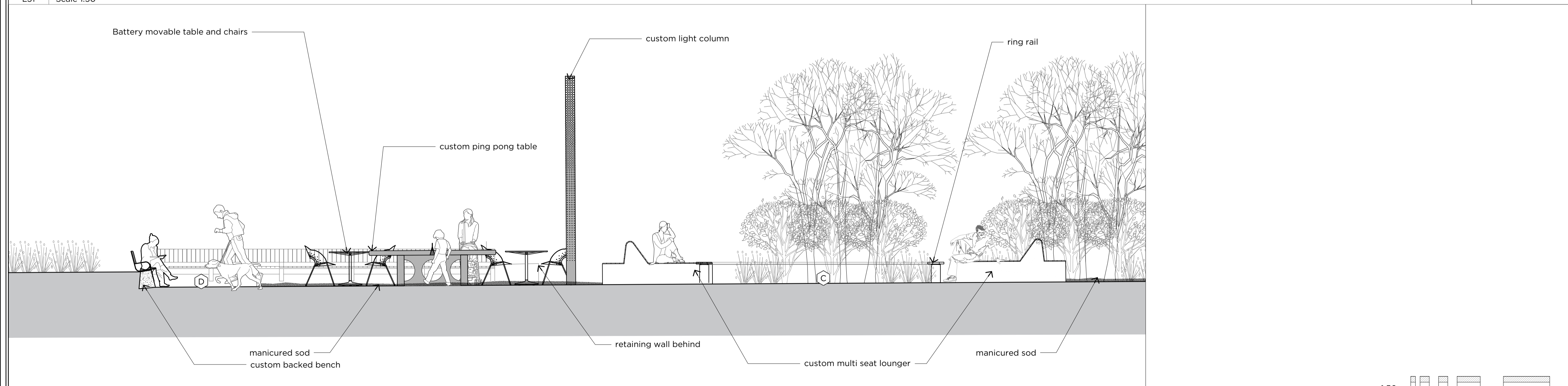
3 Section Elevation

L31 Scale 1:50



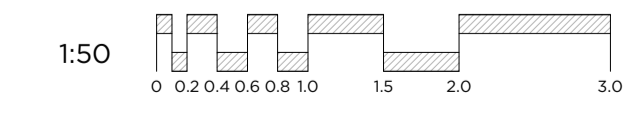
2 Section Elevation

L31 Scale 1:50



1 Section Elevation

L31 Scale 1:50



REVISION / ADDITION	FIELD BOOK	DRAWN BY	DATE
issued for DL reissued for DL		bh bh	20.01.02 20.03.16

CHECKED BY **CMc** DATE **20.03.12**

APPROVED FOR:	BY	DATE
TENDER	yy/mm/dd	yy/mm/dd
CONSTRUCTION	---	yy/mm/dd

APPROVAL

DEVELOPER

CONSULTANTS



SEAL

DRAWN BY bh	DESIGN BY cmc
DATE 20.03.12	DATE 20.03.12

SCALE 1:125

PROJECT TITLE

Beltline Park

SHEET TITLE

Sections

SHEET NO. L31	FILE NO. 19.404
-------------------------	---------------------------

n:\01 projects\4 - park development\19_404 beltline park\02 drawings\04 design development\19_404 - sections final.dwg